

ShadowProx Readers



The **SH-Y1**, **SH-Y2** & **SH-Y4** proximity readers are the next generation of the popular *ShadowProx*[™] line of proximity readers, cards, and tags. Sleek and contemporary styling allows for installation in the most prestigious locations. Following the practical tradition of the *ShadowProx*[™] line, these units are mountable on door mullions (SH-Y1), on walls, on single gang electrical boxes (SH-Y2) or on a single or double gang electrical box, as well as any flat surface (SH-Y4). For added style and convenience, they are more compact and will enhance both the interior and exterior decor of any professional environment.

The *ShadowProx*[™] **SH-Y1**, **SH-Y2** and **SH-Y4** reader electronics modules are fully enclosed in an epoxy potting, making them both vandal proof and weather resistant. An additional, unique feature is that both models **SH-Y1** & **SH-Y2** have the same potted electronics module, allowing for interchangeable bezels.

Features

- Proximity technology
- Single piece construction
- Potted electronics
- Compact modular design
- Easy installation
- Mounts on standard mullion (SH-Y1)
- Mounts on metal single gang box (SH-Y2/Y4)
- Indoor / Outdoor operation
- Built-in buzzer

The *ShadowProx*[™] proximity readers (SH-Y1, SH-Y2 & SH-Y4) are offered with read ranges of up to 30.5 cm (12"). The readers recognize over 137 billion unique codes. Using the *ShadowProx*[™] family (Kantech Secure Format) provides increased security and guarantees against duplication of cards.

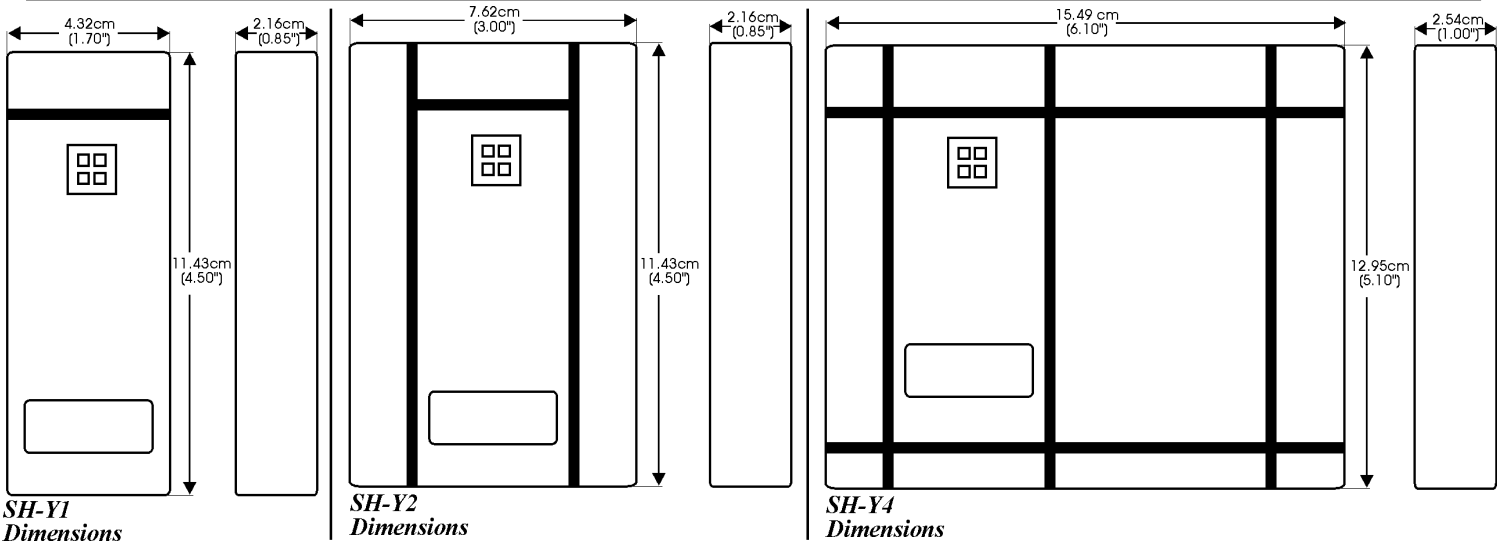


Made for Kantech by
proximity technology pioneer
MOTOROLA

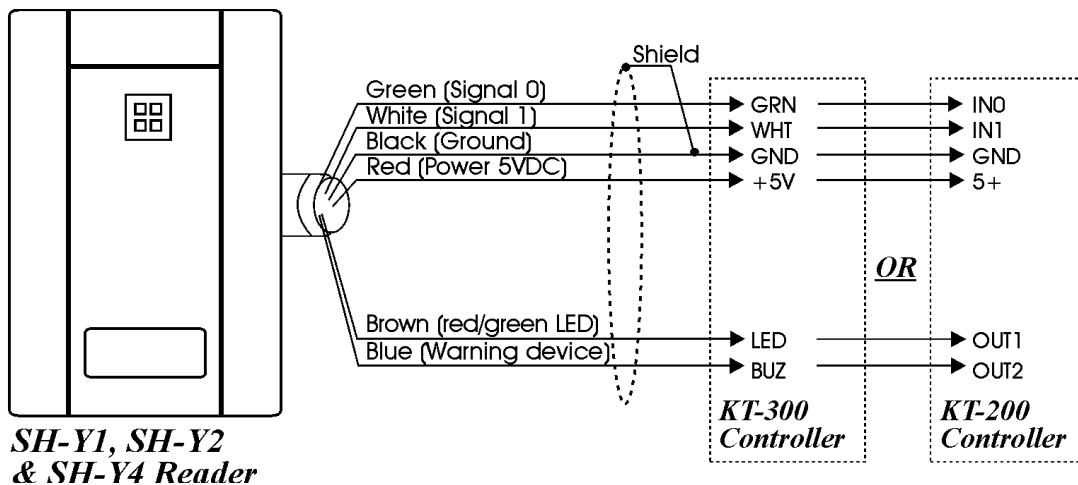
Technical Specifications

	SH-Y1	SH-Y2	SH-Y4
Maximum read range.....	Up to 12.7 cm (5 inches)	Up to 12.7 cm (5 inches)	Up to 30.5 cm (12 inches)
Bezel size metric cm (H,W,T).....	11.43 x 4.32 x 2.16	11.43 x 7.62 x 2.16	15.49 x 12.95 x 2.54
Bezel size inches (H,W,T).....	4.50 x 1.70 x 0.85	4.50 x 3.00 x 0.85	6.10 x 5.10 x 1.00
Electronics module size metric cm.	10.80 x 3.80 x 1.80	10.80 x 3.80 x 1.80	12.19 x 14.73 x 2.03
Electronics module size inches....	4.27 x 1.51 x 0.72	4.27 x 1.51 x 0.72	4.80 x 5.80 x 0.80
Weight.....	142g (5 oz)	142g (5 oz)	397g (14 oz)
Color.....	Black	Black	Black
LED indicator.....	Tri-color (red, green, amber)	Tri-color (red, green, amber)	Tri-color (red, green, amber)
Kantech reader type.....	Reader Type 13 (ShadowProx)	Reader Type 13 (ShadowProx)	Reader Type 13 (ShadowProx)
Output.....	Kantech Secure Format (KSF)	Kantech Secure Format (KSF)	Kantech Secure Format (KSF)
Frequency.....	125kHz (excitation), 62.5 kHz (return)	125kHz (excitation), 62.5 kHz (return)	125kHz (excitation), 62.5 kHz (return)
Indoor/outdoor.....	Indoor/Outdoor	Indoor/Outdoor	Indoor/Outdoor
Input power.....	4 to 16 volts DC at the reader	4 to 16 volts DC at the reader	4 to 16 volts DC at the reader
Power source.....	Kantech controller	Kantech controller	Kantech controller
Current (typical) off metal.....	86mA @ 5V	86mA @ 5V	70mA @ 5V
Current (typical) metal gang box.	97mA @ 5V	97mA @ 5V	65mA @ 5V
Cabling.....	6 Conductor, #18AWG, shielded Belden ref #9553	6 Conductor, #18AWG, shielded Belden ref #9553	6 Conductor, #18AWG, shielded Belden ref #9553
Maximum distance from controller	150m (500 feet)	150m (500 feet)	150m (500 feet)
Operating temperatures.....	-35°C to 65°C (-30°F to 150°F)	-35°C to 65°C (-30°F to 150°F)	-35°C to 65°C (-30°F to 150°F)
Mounts on metal.....	Yes	Yes	Yes
Certifications.....	UL294, CE	UL294, CE	UL294, CE

Compatible cards : SH-C1; SH-K1; SH-CMG1; SH-CMG2; SH-CMG3; SH-CMG4.



Wiring Diagram



DN1389-0106

Kantech Systems Inc. Tel.: 1(450) 444-2040 or 1-888-KANTECH Fax.: 1(450) 444-2029 Internet: www.kantech.com

Copyright 2001 Kantech Systems Inc. Specifications may be modified without notice.

