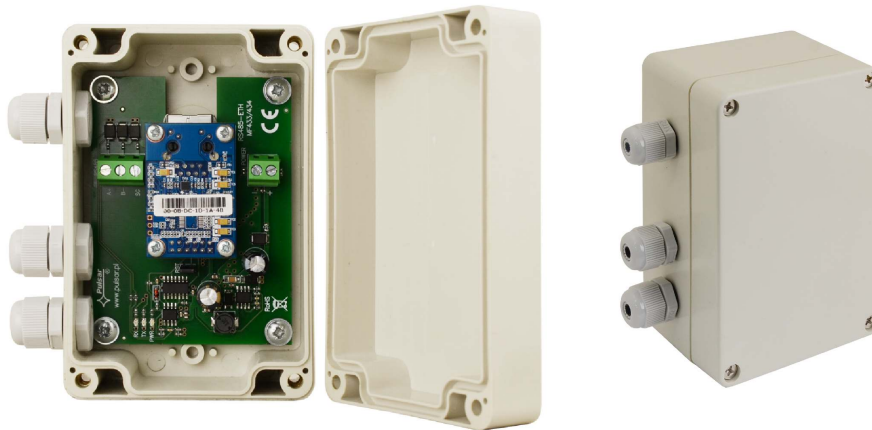


CODE: **INTRE** v.1.1/III  
 TYPE: **Interface RS485-ETHERNET**

EN\*



#### PSU features:

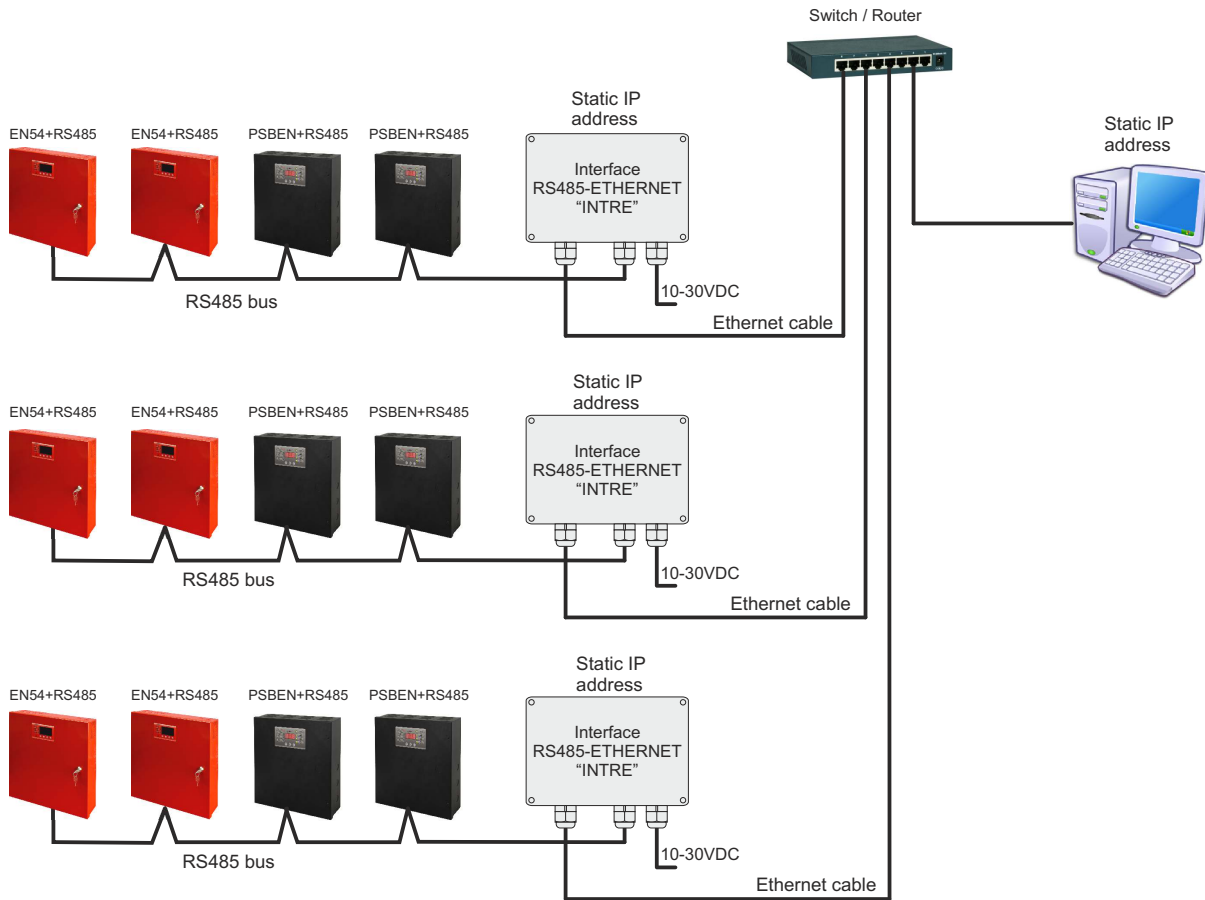
- Operation in the ETHERNET network via the RJ45 connector
- complaint with the IEEE 802.3 standard
- transmission speed 10/100Mbps
- full duplex or half-duplex mode (auto-negotiation)
- assigning a static or dynamic IP address (DHCP server)
- galvanic isolation between the Ethernet interface and the RS485 bus
- 10 ÷ 30V DC power supply
- Cooperation with PowerSecurity software
- optical indication
- hermetic enclosure IP65
- warranty - 5 years from the production date

#### DESCRIPTION

The RS485-ETHERNET interface is a device intended for converting signals between the RS485 bus and the Ethernet network and dedicated for working with power supply units of the PSBEN or EN54 group connected to LAN/WAN network. To work correctly, the device requires external power supply within the range of 10 ÷ 30V DC e.g. drawn from a PSU of the PSBEN or EN54 series. The physical connection is safe due to embed galvanic isolation. The device is mounted in a hermetic enclosure that protects it against adverse environmental conditions.

<b>Power supply</b>	10 ÷ 30V DC
<b>Current consumption</b>	max 0,95W
<b>TTL transmission's speed</b>	max. 115200 bauds, with parity control
<b>LAN transmission's speed</b>	10/100Mbps (auto-sensing)
<b>Indication (LEDs)</b>	Tx, Rx, PWR
<b>Operating conditions</b>	temperature -10 °C ÷ 40 °C relative humidity 20%...90% without condensation
<b>Dimensions (LxWxH)</b>	121 x 81 x 60 [mm]
<b>Net/gross weight</b>	0,26kg / 0,36kg
<b>Protection grade</b>	IP65
<b>Storage temperature</b>	-20°C...+60°C
<b>Declarations, warranty</b>	CE, RoHS, 5 years from the production date

A block diagram of communication in LAN.



A block diagram of communication in WAN.

