

DS-2CD2T47G2-L

4 MP ColorVu Fixed Bullet Network Camera

## ColorVu



Hikvision ColorVu technology provides 24/7 vivid colorful images with F1.0 advanced lenses, high performance sensors and friendly lighting. F1.0 super-aperture collects more light to produce brighter images. Advanced sensor technology can vastly improve the utilization of available light. In zero-light scenarios, built-in, warm supplemental lighting works to guarantee colorful images.

- High quality imaging with 4 MP resolution
- Efficient H.265+ compression technology
- Clear imaging against strong back light due to 130 dB WDR technology
- Focusing on human and vehicle classification based on deep learning
- 24/7 colorful imaging



## ▪ Specification

| Camera                      |   |
|-----------------------------|---|
| Image Sensor                | 1/1.8" Progressive Scan CMOS  |
| Min. Illumination           | 0.0005 Lux @ (F1.0, AGC ON), 0 Lux with Light   |
| Shutter Speed               | 1/3 s to 1/100,000 s  |
| Slow Shutter                | Yes   |
| P/N                         | P/N   |
| Wide Dynamic Range          | 130 dB  |
| Angle Adjustment            | Pan: 0° to 360°, tilt: 0° to 90°, rotate: 0° to 360°  |
| Lens                        |   |
| Lens Type & FOV             | 2.8 mm, horizontal FOV 109°, vertical FOV 55°, diagonal FOV 138°<br>4 mm, horizontal FOV 94°, vertical FOV 49°, diagonal FOV 113°<br>6 mm, horizontal FOV 57°, vertical FOV 32°, diagonal FOV 66° |
| Depth of Focus              | 2.8 mm, 2.5 m to ∞<br>4 mm, 3.5 m to ∞<br>6 mm, 7.5 m to ∞  |
| Aperture                    | F1.0  |
| Lens Mount                  | M16   |
| DORI                        |   |
| DORI                        | 2.8 mm, D: 65 m, O: 21 m, R: 13 m, I: 6 m<br>4 mm, D: 72 m, O: 28 m, R: 14 m, I: 7 m<br>6 mm, D: 109 m, O: 43 m, R: 21 m, I: 10 m   |
| Illuminator                 |   |
| White Light Range           | 60 m  |
| Smart Supplement Light      | Yes   |
| Video                       |   |
| Max. Resolution             | 2688 × 1520   |
| Main Stream                 | 50Hz: 25 fps (2688 × 1520, 1920 × 1080, 1280 × 720)<br>60Hz: 30 fps (2688 × 1520, 1920 × 1080, 1280 × 720)  |
| Sub Stream                  | 50Hz: 25 fps (640 × 480, 640 × 360, 320 × 240)<br>60Hz: 30 fps (640 × 480, 640 × 360, 320 × 240)  |
| Third Stream                | 50Hz: 25 fps (1280 × 720, 640 × 480, 640 × 360, 320 × 240)<br>60Hz: 30 fps (1280 × 720, 640 × 480, 640 × 360, 320 × 240)  |
| Video Compression           | Main stream: H.265/H.264/H.264+/H.265+<br>Sub-stream: H.265/H.264/MJPEG<br>Third stream: H.265/H.264  |
| Video Bit Rate              | 32 Kbps to 8 Mbps   |
| H.264 Type                  | Baseline Profile/Main Profile/High Profile  |
| H.265 Type                  | Main Profile  |
| H.264+                      | Main Stream supports  |
| H.265+                      | Main Stream supports  |
| Bit Rate Control            | CBR/VBR   |
| Scalable Video Coding (SVC) | Yes   |
| Region of Interest (ROI)    | 1 fixed region for each stream  |

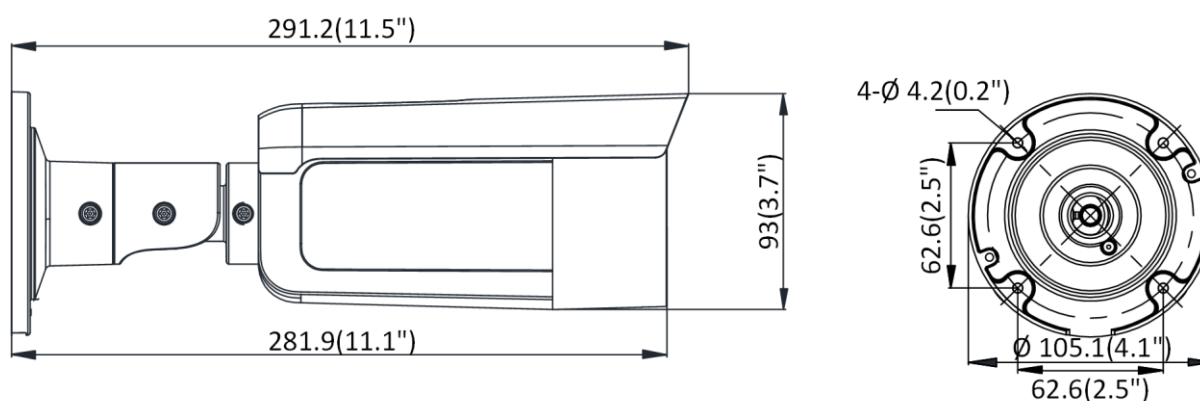
| <b>Network</b>                               |   |
|--|---|
| Simultaneous Live View                       | Up to 6 channels  |
| API  | ONVIF (PROFILE S, PROFILE G, PROFILE T), ISAPI, SDK   |
| Protocols                                    | TCP/IP, ICMP, HTTP, HTTPS, FTP, DHCP, DNS, DDNS, RTP, RTSP, NTP, UPnP, SMTP, IGMP, 802.1X, QoS, IPv4, IPv6, UDP, Bonjour, SSL/TLS, PPPoE, SNMP  |
| User/Host                                    | Up to 32 users. 3 user levels: administrator, operator and user   |
| Security                                     | Password protection, complicated password, HTTPS encryption, IP address filter, Security Audit Log, basic and digest authentication for HTTP/HTTPS, TLS 1.2, WSSE and digest authentication for ONVIF   |
| Network Storage                              | MicroSD/SDHC/SDXC card (256 GB) local storage, and NAS(NFS, SMB/CIFS), auto network replenishment (ANR)   |
| Client                                       | iVMS-4200, Hik-Connect, Hik-Central   |
| Web Browser                                  | Plug-in required live view: IE 8+, Chrome 41.0-44, Firefox 30.0-51, Safari 8.0-11<br>Plug-in free live view: Chrome 57.0+, Firefox 52.0+  |
| <b>Image</b>                                 |   |
| Day/Night Switch                             | Day, Night, Auto, Schedule  |
| Image Enhancement                            | BLC, HLC, 3D DNR  |
| Image Parameters Switch                      | Yes   |
| Image Settings                               | Rotate mode, saturation, brightness, contrast, sharpness, gain, white balance adjustable by client software or web browser  |
| <b>Interface</b>                             |   |
| On-board Storage                             | Built-in micro SD/SDHC/SDXC slot, up to 256 GB  |
| Hardware Reset                               | Yes   |
| Communication Interface                      | 1 RJ45 10M/100M self-adaptive Ethernet port   |
| <b>Smart Feature-Set</b>                     |   |
| Basic Event                                  | Motion detection, video tampering alarm, exception (network disconnected, IP address conflict, illegal login, HDD full, HDD error), scene change detection  |
| <b>Intelligent (Deep Learning Algorithm)</b> |   |
| Face Capture                                 | Yes   |
| Perimeter Protection                         | Line crossing detection, intrusion detection, region entrance detection, region exiting detection   |
| <b>General</b>                               |   |
| Linkage Method                               | Upload to NAS/memory card, notify surveillance center, trigger record, trigger capture  |
| Web Client Language                          | 33 languages<br>English, Russian, Estonian, Bulgarian, Hungarian, Greek, German, Italian, Czech, Slovak, French, Polish, Dutch, Portuguese, Spanish, Romanian, Danish, Swedish, Norwegian, Finnish, Croatian, Slovenian, Serbian, Turkish, Korean, Traditional Chinese, Thai, Vietnamese, Japanese, Latvian, Lithuanian, Portuguese (Brazil), Ukrainian |
| General Function                             | Anti-flicker, heartbeat, mirror, privacy masks, flash log, password reset via e-mail, pixel counter   |
| Software Reset                               | Yes   |
| Storage Conditions                           | -30 °C to 60 °C (-22 °F to 140 °F). Humidity 95% or less (non-condensing)   |
| Startup and Operating Conditions             | -30 °C to 60 °C (-22 °F to 140 °F). Humidity 95% or less (non-condensing)   |
| Power Supply                                 | 12 VDC ± 25%; PoE: 802.3af  |

|                               |   |
|-------------------------------|---|
| Power Consumption and Current | 12 VDC, 0.7 A, max. 8.5 W<br>PoE (802.3af, 36 V to 57 V), 0.30 A to 0.18 A, max. 10.5 W   |
| Power Interface               | Ø5.5 mm coaxial power plug  |
| Material                      | Front cover: metal, back cover: metal   |
| Screw Material                | SUS304  |
| Camera Dimension              | Ø105.1 × 291.2 mm (Ø4.1" × 11.5")   |
| Package Dimension             | 385 × 190 × 180 mm (15.2" × 7.5" × 7.1")  |
| Camera Weight                 | Approx. 1260 g (2.8 lb.)  |
| With Package Weight           | Approx. 1931 g (4.3 lb.)  |
| <b>Approval</b>               |   |
| Class                         | Class B   |
| EMC                           | FCC SDoC (47 CFR Part 15, Subpart B);<br>CE-EMC (EN 55032: 2015, EN 61000-3-2: 2014, EN 61000-3-3: 2013, EN 50130-4: 2011 +A1: 2014);<br>RCM (AS/NZS CISPR 32: 2015);<br>IC VoC (ICES-003: Issue 6, 2016);<br>KC (KN 32: 2015, KN 35: 2015) |
| Safety                        | UL (UL 60950-1);<br>CB (IEC 60950-1:2005 + Am 1:2009 + Am 2:2013, IEC 62368-1:2014);<br>CE-LVD (EN 60950-1:2005 + Am 1:2009 + Am 2:2013, IEC 62368-1:2014);<br>BIS (IS 13252(Part 1):2010+A1:2013+A2:2015);<br>LOA (IEC/EN 60950-1)         |
| Environment                   | CE-RoHS (2011/65/EU); WEEE (2012/19/EU); Reach (Regulation (EC) No 1907/2006)   |
| Protection                    | Ingress protection: IP67 (IEC 60529-2013)   |

## ▪ Available Model




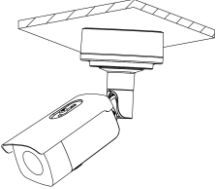
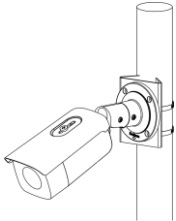
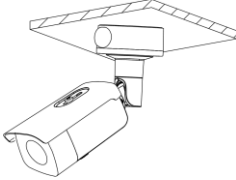
DS-2CD2T47G2-L (2.8 mm, 4 mm, 6 mm)

## ▪ Dimension



Unit: mm(inch)

- Accessory
- Optional

| DS-1280ZJ-S<br>Junction Box   | DS-1275ZJ-S-SUS<br>Vertical Pole Mount  | DS-1260ZJ<br>Junction Box  |
|---|---|--|
|  |  |  |
|  |  |  |

Distributed by



## HIKVISION®

### Headquarters

No.555 Qianmo Road, Binjiang District,  
Hangzhou 310051, China  
T +86-571-8807-5998  
overseasbusiness@hikvision.com

**Hikvision USA**  
T +1-909-895-0400  
sales.usa@hikvision.com

**Hikvision Australia**  
T +61-2-8599-4233  
salesau@hikvision.com

**Hikvision India**  
T +91-22-28469900  
sales@pramahikvision.com

**Hikvision Canada**  
T +1-866-200-6690  
sales.canada@hikvision.com

**Hikvision Thailand**  
T +662-275-9949  
sales.thailand@hikvision.com

**Hikvision Europe**  
T +31-23-5542770  
sales.eu@hikvision.com

**Hikvision Italy**  
T +39-0438-6902  
info.it@hikvision.com

**Hikvision Brazil**  
T +55 11 3318-0050  
Latam.support@hikvision.com

**Hikvision Turkey**  
T +90 (216)521 7070- 7074  
sales.tr@hikvision.com

**Hikvision Malaysia**  
T +601-7652-2413  
sales.my@hikvision.com

**Hikvision UK & Ireland**  
T +01628-902140  
sales.uk@hikvision.com

**Hikvision South Africa**  
Tel: +27 (10) 0351172  
sale.africa@hikvision.com

**Hikvision France**  
T +33(0)1-85-330-450  
info.fr@hikvision.com

**Hikvision Kazakhstan**  
T +7-727-9730667  
nikia.panfilov@hikvision.ru

**Hikvision Vietnam**  
T +84-974270888  
sales.vt@hikvision.com

**Hikvision UAE**  
T +971-4-4432090  
salesme@hikvision.com

**Hikvision Singapore**  
T +65-6684-4718  
sg@hikvision.com

**Hikvision Spain**  
T +34-91-737-16-55  
info.es@hikvision.com

**Hikvision Tashkent**  
T +99-87-1238-9438  
uzb@hikvision.ru

**Hikvision Hong Kong**  
T +852-2151-1761  
info.hk@hikvision.com

**Hikvision Russia**  
T +7-495-669-67-99  
saleru@hikvision.com

**Hikvision Korea**  
T +82-(0)31-731-8817  
sales.korea@hikvision.com

**Hikvision Poland**  
T +48-22-460-01-50  
info.pl@hikvision.com

**Hikvision Indonesia**  
T +62-21-2933759  
Sales.Indonesia@hikvision.com

**Hikvision Colombia**  
sales.colombia@hikvision.com