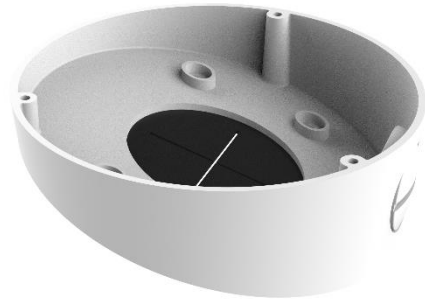


## DS-1281ZJ-DM45

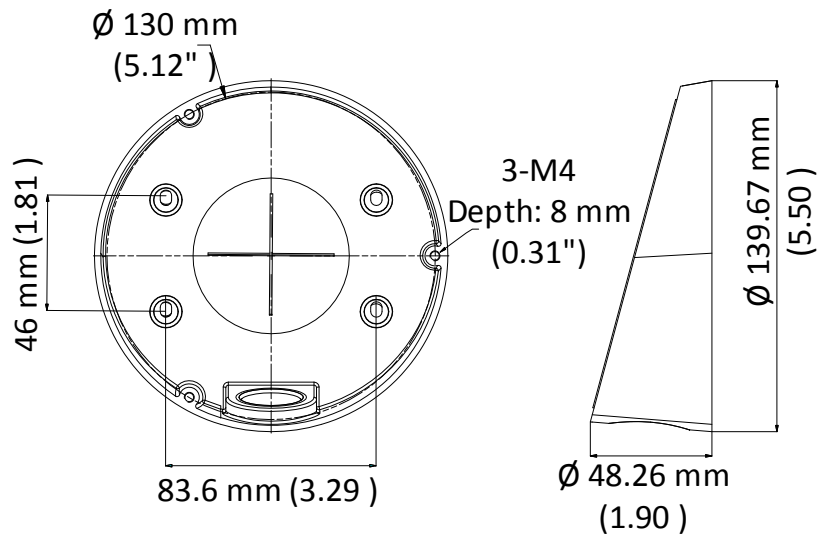
### Inclined Ceiling Mount



#### Features

- Aluminum alloy with surface spray treatment
- Side inlet, and bottom inlet
- Applies to both indoor conditions, and outdoor conditions

#### Dimension



#### Available Model

DS-1281ZJ-DM45

#### Parameter

| Model      | DS-1281ZJ-DM45                         |
|------------|--|
| Parameters | Inclined Ceiling Mount                 |
| Appearance | Hikvision White                        |
| Material   | Aluminum Alloy                         |
| Dimension  | Φ 139.67 mm × 48.26 mm (5.50" × 1.90") |
| Weight     | Approx.: 190 g (0.46 lb.)              |

#### Notes

- The mount should be installed on the flat surface.
- The waterproof rubber is necessary for the outdoor application.
- The wall must be capable of supporting at least 3 times as much as the total weight of the camera, and the mount.
- The maximum load capacity of the mount is 3 kg (6.6 lb.).