

## DS-K1T320MWX Face Recognition Terminal



Face recognition terminal adopts deep learning algorithm, which helps to recognize the face faster with higher accuracy. It also supports multiple authentication modes: face/card/PIN authentication, etc. It can be applied in multiple scenarios, such as buildings, enterprises, financial industries, and other important areas.

- 2.4-inch LCD screen, 2 MP lens
- Multiple authentication methods, including face, card, and PIN, etc.
- Supports Mifare card
- Face recognition duration < 0.2 s/User
- Max. 500 faces, 1,000 cards, and 100,000 events
- Supports ISAPI and ISUP 5.0 protocols
- Configuration via the web client

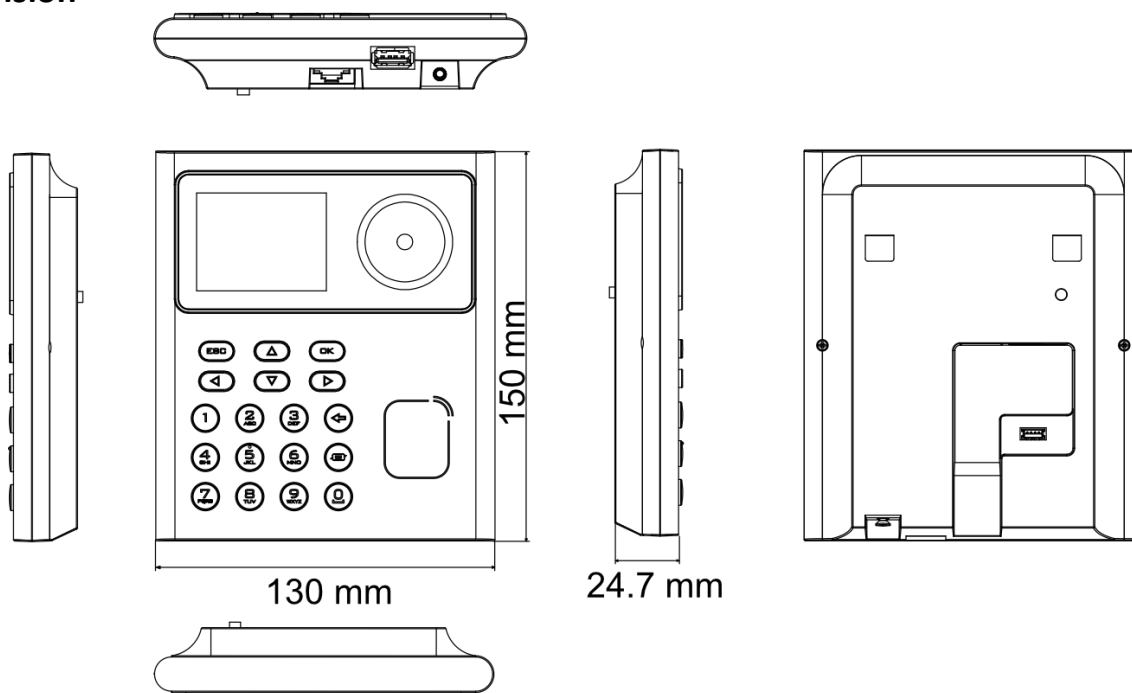
## ▪ Specification

<b>System</b>	
Operating system	Linux
<b>Display</b>	
Screen size	2.4 inch
Type	Display screen
Resolution	320 × 240
<b>Video</b>	
Lens	1
Video compression standard	PAL (Default) and NTSC
Resolution	2 MP (video stream: 720P)
FOV	HFOV = 43°; VFOV = 25°
<b>Audio</b>	
Audio output	Built-in buzzer
<b>Network</b>	
Wired network	10 M/100 M self-adaptive
Wi-Fi	Support
<b>Interface</b>	
Network interface	1
Lock control	1
Exit button	1
Door contact input	1
TAMPER	1
USB	1
<b>Capacity</b>	
Face capacity	500
Card capacity	1,000
Event capacity	100,000
<b>Authentication</b>	
Face recognition distance	0.3 m ~ 1.5 m
Face recognition accuracy rate	> 99%
Face recognition duration	< 0.2 s
Card type	Mifare 1 card
Card reading distance	0 ~ 5 cm
<b>Function</b>	
Face anti-spoofing	Support
<b>General</b>	
Built-in access controller	Yes
Supplement light	White light
Power supply	DC 12 V
Power consumption	≤ 6 W
Working temperature	-10 °C ~ 55 °C (14 °F ~ 131 °F)
Working humidity	0% ~ 90%

Language

English, Spanish (South America), Arabic, Thai, Indonesian, Russian, Vietnamese,  
Portuguese (Brazil), Korean, Japanese**▪ Available Model**

DS-K1T320MWX

**▪ Dimension**

**Headquarters**

No.555 Qianmo Road, Binjiang District,  
Hangzhou 310051, China  
T +86-571-8807-5998  
www.hikvision.com



Follow us on social media to get the latest product and solution information.

