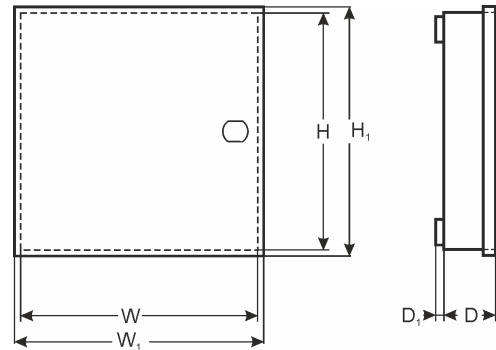


CODE: **AWO301PU v.1.2/III**  
 NAME: **24/80/DS/PUSTA**



## DESTINATION

### DSC

- 1) PC1616, 1832, 1864, 4020, 6010, 4x ( 4108, 5108, 6108, 5100, 4116, 5208) + 3x ( 5204, 5400, 5200, 5580, 4216, 6216, 6400)

Modules:

- 1) ( 4204, 6204) + 4x ( 4108, 5108, 6108, 5100, 4116, 5208) + 3x ( 5204, 5400, 5200, 5580, 4216, 6216, 6400)

### Satel

- 1) CA10, VERSA10,15, INTEGRA 24, 32, 64, 128 + 6x CA64E ( SM)
- 2) CA10, VERSA10,15, INTEGRA 24, 32, 64, 128 + 5x CA64 ( EPS, O-OC, O-ROC, O-R, VGM- 16, SR, ADR, ACC-KP-PS)
- 3) 6x CA64 ( EPS, O-OC, O-ROC, O-R, VGM- 16, SR, ADR, ACC-KP-PS)
- 4) 3x CA64 ( PP, OPS-OC, OPS-R, OPS-ROC) + CA64 ( EPS, O-OC, O-ROC, O-R, VGM-16, SR, ADR, ACC-KP-PS) + 3x CA64E (SM)

## TECHNICAL DATA

**External dimensions of the enclosure:** W=350, H=400, D+D1=170+8 [±2 mm]

**External dimensions of the front panel:** W1=355, H1=405 [±2 mm]

**Weight net/gross:** 4,70kg / 4,90kg [±0,1kg]

**Battery space:** 24Ah/12V Sealed Lead Acid (SLA)

**Transformer:** without transformer - can be mounted in the casing: TRP50, TRP80, TRZ50, TRZ80

**Tamper protection:** 1 x microswitch: opening, 0,5A@50V/DC max. NC

**Material description:** sheet steel DC01, thickness: 0,7mm, protection anticorrosion, color: RAL 9003

**Destination:** indoor

**Closing:** screwed x 4

**Notes:** optional: lockable, distance from wall (mounting surface) - 8mm, easy door removal

**Declaration, warranty:** CE, 2 year from the production date