

ENG PG9872/PG8872/PG4872 Overview

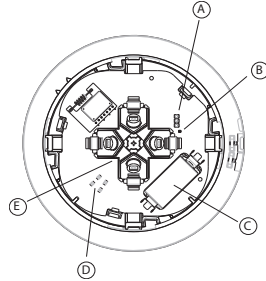
The PGx872 is a smart wireless ceiling PIR presence/security detector (selected mode) that creates a 360° coverage area to detect the movement of intruders in indoor areas.

The detector has the following features:

- Presence detection mode - active 15 minutes after installation (power-up) and then only when the panel is in Disarm mode.
- Security detection mode - operates as a normal motion security detector.
- Built-in link quality indicators eliminate the need for the installer to physically approach the control panel and reduce installation time.
- The device supports temperature and light level reports to compatible alarm systems that support temperature and light sensors.
- Tamper protection.
- PowerG two-way Frequency Hopping Spread Spectrum FHSS-TDMA technology.
- The Advanced True Motion Recognition™ algorithm (patented) distinguishes between the true motion of an intruder and any other disturbances which may cause false alarms.

NOTE: For UL installations, the detector is for use with UL listed control units only.

Legend



- A LEDs
- B Light sensor
- C Battery
- D Tamper protection
- E Pyro sensor

Figure 1. Internal view

Inserting or replacing the battery

To insert the battery, complete the following steps.

1. To separate the detector from the mounting bracket, rotate the bracket anticlockwise and pull it from the detector.

2. Insert the battery while observing polarity.

NOTE: If the battery is already installed, pull the isolation strip that protrudes from the back of the detector.

3. Align the bracket tabs with the detector slots and rotate the detector clockwise to verify that it is securely attached.

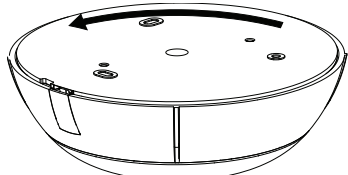


Figure 2. Removing the bracket

NOTE: If a screw is used to secure the detector to the bracket (see Figure 3), open the screw cover, and remove the screw. To separate the detector from the mounting bracket, ensure the screw cover is fully open or fully closed, and rotate the detector anticlockwise.

Replace the battery ensuring polarity is observed. Replace the detector and secure to the bracket with the screw.

NOTE: It is recommended to wait about 1 minute after battery removal before inserting the new battery.

Caution! Risk of explosion if battery is replaced by an incorrect type. Dispose of used batteries according to the manufacturer's instructions and according to local rules and regulations.

Enrollment

Refer to the panel installation manual for the enrollment procedure. A general description of the procedure is provided in the following flow chart:

Step	Procedure
1	See the installation manual for the alarm system that the device is being enrolled on to ensure that the proper steps are used.
2	Enter the Device Enrollment option through the specified method and select the appropriate option to add the new device.
3	Enroll the device by either inserting the battery to power on the device until the enrollment is detected, or by entering the Device ID. Pull the enrollment tab or insert the battery to power up the device and begin the auto-enrollment process. NOTE: You can also enter ID:XXX-XXXX (the number of the device that is printed on the label), if the device does not automatically enroll.
4	Select the desired Zone Number.
5	Configure any device parameters that are required.
6	Mount and test the detector. See Walk testing / local diagnostic testing for information on testing the device. In addition, see the alarm system installation manual that the device is enrolled on for other test procedures that are required.

NOTE: If the detector is already enrolled, you can configure the detector parameters by programming the system. See the alarm system installation manual for more information about device parameters.

NOTE: When enrolling the PGx972 detector to wireless panels (WP80XX) with version 19.4 or lower, the detector will be enrolled as motion detector, ID 120-xxxx, and labelled 'Motion Sens' in the panel.

Installation tips

Use the following as a guide for locating a suitable mounting location.

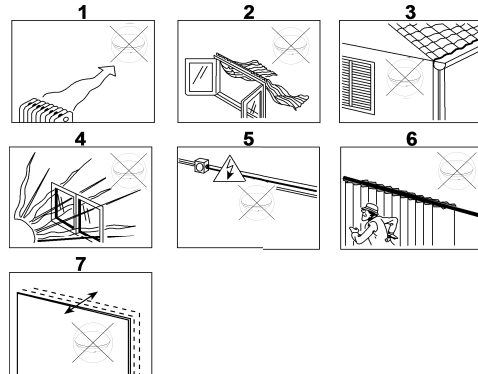


Figure 3. General guidelines

1. Keep away from heat sources.
2. Do not expose to air drafts.
3. Do not install outdoors.
4. Avoid direct sunshine.
5. Do not install near high voltage electrical lines.
6. Do not install behind partitions.
7. Mount on a solid stable surface.

WARNING! Do not partially or completely obscure the detector's field of view.

WARNING! To comply with FCC and ISED Canada RF exposure compliance requirements, the PIR detector should be located at a distance of at least 20 cm from all persons during normal operation. The antennas used for this product must not be co-located or operated in conjunction with any other antenna or transmitter.

NOTE: The PGx872 Wireless ceiling PIR presence/security detector shall be installed and used within an environment that provides the

pollution degree max 2 and overvoltages category II in NON HAZARDOUS LOCATIONS. The equipment is designed to be installed only by qualified service persons.

NOTE: PGx872 shall be installed in accordance with the Standard for Installation and Classification of Residential Burglar Alarm Systems, UL 1641.

Walk testing / local diagnostic testing

Before permanently mounting any wireless device, temporarily mount the device and perform a walk test. Perform a walk test of the coverage area at least once a week to ensure that the detector is working correctly.

After inserting the battery or closing the bracket, the detector will automatically enter a stability period where the LED flashes RED for 90 seconds. Walk test the coverage area; the LED lights red each time your motion is detected followed by 3 LED blinks. The color of the 3 LED blinks indicate the received signal strength. In walk-test mode, regardless of the LED Selection status, the LED lights upon every motion detection. After 15 minutes the detector automatically enters normal mode.

The following table indicates the received signal strength.

LED Response	Signal Strength
3 green LED blinks	STRONG
3 orange LED blinks	GOOD
3 red LED blinks	POOR
No blinks	No communication

IMPORTANT! Only GOOD or STRONG signal strengths are acceptable. If you receive a POOR signal from the device, re-locate it and re-test until a GOOD or STRONG signal is received.

NOTE: For UL/ULC installations, only STRONG signal levels are acceptable. After installation verify the product functionality in conjunction with the compatible devices HSM2HOST9, HS2LCDRR(P)9, HS2ICNRR(P)9, PG9920, WS900-19, and WS900-29.

NOTE: For detailed Placement instructions refer to the control panel reference manual.

Walk-test the coverage area by walking across the far end of the coverage pattern in both directions. The red LED lights each time your motion is detected followed by a steady LED signal strength indication.

Mounting the device

1. Mark and drill two holes in the mounting surface. If you install tamper protection on the detector, mark and drill one hole for the tamper protection and one hole for one of the other available slots.
2. Fasten the bracket to the mounting surface with the two screws.
3. Align the bracket tabs with the detector slots and rotate the detector clockwise. Verify that it is securely attached.
4. Fasten the detector to the bracket with the screw.

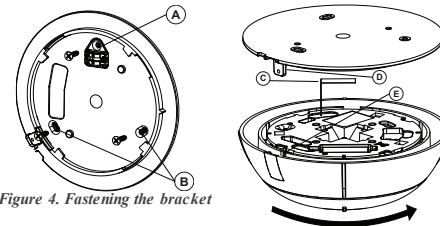


Figure 4. Fastening the bracket

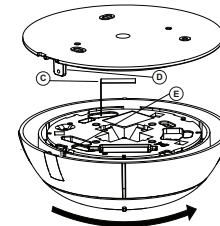


Figure 5. Attaching the detector

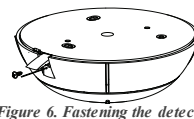


Figure 6. Fastening the detector

- A Tamper protection
- B Bracket screw slots
- C Isolation strip
- D Bracket tabs
- E Detector slots

The following table outlines the detection distance in relation to the mounting height.

Height	2 m	3 m	4 m	5 m	6 m
	6.6 ft	9.8 ft	13.1 ft	16.4 ft	19.7 ft
Radius detection distance	3.1 m	3.75 m	4.5 m	6.5 m	10 m
	10.2 ft	12.3 ft	14.8 ft	21.3 ft	32.8 ft

LED Operation

LED Indications	Event
Red LED blinks	Stabilization (warm-up 90 seconds)
Red LED on 0.2 seconds	Tamper open/close
Red LED on 2 seconds	Intruder alarm

Temperature display

For instructions on displaying the temperature of zones on the control panel as measured by the PGx872, refer to the panel installation guide.

Specifications

General

Detector Type

Four pyroelectric sensors operating in a dual separated configuration

Optical

Lens data

Fresnel type lens.

Number of beams: 120

Max. coverage

20 m/360° at the maximum installation height of 6 m (19.7 ft)

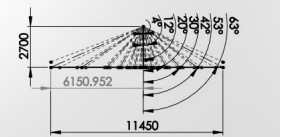


Figure 7. Beam distribution at 2.7 m (8.9 ft)

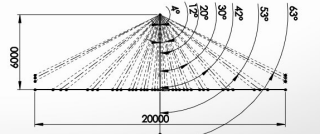


Figure 8. Beam distribution at 6 m (19.7 ft)

Electrical Power supply

Internal, 3V Lithium battery type CR123A. For UL/cUL installations, use only Panasonic or GP batteries. EN50131-6 type C power source. **Battery life (typical use)** Minimum 1 year. 3 years for typical use/security mode (not verified by UL). 2 years in presence mode with timer set to 15 min (not verified by UL). **Low battery threshold** 2.5 V **NOTE:** Inability to connect with wireless network, or wireless link quality no higher than 20% may significantly reduce the expected battery life.

Battery power test Performed immediately upon battery insertion and periodically after every several hours. The power supply is type C in accordance with EN 50131-6 Documentation – Clause 6. **Current consumption** 30 µA average quiescent , maximum 150 mA (during transmission) **Functional** **True Motion Event Verification** 2 remote selections at panel **Alarm Period:** 2 seconds **Wireless Frequency** Europe and rest of world: 433-434 MHz, 868-869 MHz USA: 912-919 MHz **NOTE:** Only devices in frequency band 915 MHz are UL/ULC listed.

Communication Protocol PowerG **Supervision** Signaling at 256 second intervals **Tamper alert** Reported when a tamper event occurs and in any subsequent message, until the tamper switch is restored. **Mounting Height** 2 m to 6 m (6.6 ft to 19.7 ft) **Installation options** Ceiling surface **Environmental RF Immunity** 20 V/m up to 1000 MHz, 10 V/m up to 2700 MHz **Operating Temperatures** -10 °C to 55 °C (14 °F to 131 °F).

NOTE: UL verified operation range 0 °C to 49 °C only. **Storage Temperatures** -20 °C to 60 °C (-4 °F to 140 °F). **Humidity** Average relative humidity of up to approximately 75% non-condensing. For 30 days per year the relative humidity may vary between 85% and 95% non-condensing. For UL installations: 5% to 93% with no condensation **Physical Size (diameter)** 15 cm (5.9 in) **Weight (with battery)** 110 g (3.88 oz) **Color** White

COMPATIBLE RECEIVERS

This device can be used with DSC panels and receivers that use PowerG technology. **NOTE:** Only devices operating in band 912-919MHz are UL/ULC listed.

UL/ULC Notes

Only model PG9872 operating in the frequency band 912-919MHz is UL/ULC listed. The PG9872 has been listed by UL for commercial and residential burglary applications and by ULC for residential burglary applications in accordance with the requirements in the Standards UL 639 and ULC-S306 for Intrusion Detection Units. For UL/ULC installations use this device only in conjunction with compatible DSC wireless receivers: HSM2HOST9, HS2LCDRF(P)9, HS2ICNRF(P)9, PG9920, WS900-19, and WS900-29. After installation verify the product functionality in conjunction with the compatible receiver used.

FCC COMPLIANCE STATEMENT

WARNING! Changes or modifications to this unit not expressly approved by the party responsible for compliance could void the user's authority to operate the equipment. This device has been tested and found to comply with the limits for a Class B digital device, pursuant to Part 15 of the FCC Rules. These limits are designed to provide reasonable protection against harmful interference in residential installations. This equipment generates uses and can radiate radio frequency energy and, if not installed and used in accordance with the instructions, may cause harmful interference to radio and television reception. However, there is no guarantee that interference will not occur in a particular installation. If this device does cause such interference, which can be verified by turning the device off and on, the user is encouraged to eliminate the interference by one or more of the following measures:

- Re-orient or re-locate the receiving antenna.
 - Increase the distance between the device and the receiver.
 - Connect the device to an outlet on a circuit different from the one that supplies power to the receiver.
 - Consult the dealer or an experienced radio/TV technician.
- FCC ID: F5318PG9872

Innovation Statement and Economic Development Canada (ISED) Statement

This equipment complies with FCC and ISED Canada RF radiation exposure limits set forth for an uncontrolled environment. This device complies with FCC Rules Part 15 and with ISED Canada licence-exempt RSS standard(s). Operation is subject to the following two conditions: (1) This device may not cause harmful interference, and (2) this device must accept any interference that may be received or that may cause undesired operation. Le présent appareil est conforme aux CNR d'ISED Canada applicables aux appareils radio exempts de licence. L'exploitation est autorisée aux deux conditions suivantes : (1) L'appareil ne doit pas produire de brouillage, et (2) l'utilisateur de l'appareil doit accepter tout brouillage radioélectrique subi, même si le brouillage est susceptible d'en compromettre le fonctionnement. IC: 160A-PG9872

CE Europe: CE/EN (EN50131-2-2 GRADE 2, CLASS II, EN50131-6 Type C) listed PG8872: 868 MHz PG4872: 433 MHz.

According to EN 50131-1, this equipment can be applied in installed systems up to and including Security Grade 2, Environmental Class II. Certified by Applied Test and Certification AS in accordance with EN 50131-2-2, EN 50131-5-3, EN 50131-6, EN 50130-4, EN 50130-5. UK: The PG8872 is suitable for use in systems installed to conform to PD6662 at Grade 2 and environmental class 2 BSH243.

Simplified EU declaration of conformity

Hereby, Tycoo Safety Products Canada Ltd. declares that the radio equipment type is in compliance with Directive 2014/53/EU. The full text of the EU declaration of conformity is available at the following internet address: PG4872: <http://dsc.com/pdf/1710003> PG8872: <http://dsc.com/pdf/1710004>

Frequency band	Maximum power
868.0 MHz - 868.6 MHz	10 mW
868.7 MHz - 869.2 MHz	10 mW

European single point of contact: Tycoo Safety Products, Voltaweg 20, 6101 XK Echt, Netherlands.

Limited Warranty

Digital Security Controls (DSC) warrants that for a period of twelve months from the date of purchase, the product shall be free of defects in materials and workmanship under normal use and that in fulfillment of any breach of such warranty, DSC shall, at its option, repair or replace the defective equipment upon return of the equipment to its factory. This warranty applies only to defects in parts and workmanship and not to damage incurred in shipping or handling, or damage due to causes beyond the control of DSC such as lightning, excessive voltage, mechanical shock, water damage, or damage arising out of abuse, alteration or improper application of the equipment. The foregoing warranty shall apply only to the original buyer, and is and shall be in lieu of any and all other warranties, whether expressed or implied and of all other obligations or liabilities on the part of DSC. This warranty contains the entire warranty. Digital Security Controls neither assumes responsibility for, nor authorizes any other person purporting to act on its behalf to modify or to change this warranty, nor to assume for it any other warranty or liability concerning this product. In no event shall DSC be liable for any direct or indirect or consequential damages, loss of anticipated profits, loss of time or any other losses incurred by the buyer in connection with the purchase, installation or operation or failure of this product. **Warning:** Digital Security Controls recommends that the entire system be completely tested on a regular basis. However, despite frequent testing, and due to, but not limited to, criminal tampering or electrical disruption, it is possible for this product to fail to perform as expected. **IMPORTANT - READ CAREFULLY:** DSC Software purchased with or without Products and Components is copyrighted and is purchased under the following license terms: This End-User License Agreement ("EULA") is a legal agreement between You (the company, individual or entity who acquired the Software and any related Hardware) and Digital Security Controls, a division of Tycoo Safety Products Canada Ltd. ("DSC"), the manufacturer of the integrated security systems and the developer of the software and any related products or components ("HARDWARE") which You acquired. If the DSC software product ("SOFTWARE PRODUCT" or "SOFTWARE") is intended to be accompanied by HARDWARE, and is NOT accompanied by new HARDWARE, You may not use, copy or install the SOFTWARE PRODUCT. The SOFTWARE PRODUCT includes computer software, and may include associated media, printed materials, and "online" or electronic documentation. Any software provided along with the SOFTWARE PRODUCT that is associated with a sep-

arate end-user license agreement is licensed to You under the terms of that license agreement. By installing, copying, downloading, storing, accessing or otherwise using the SOFTWARE PRODUCT, You agree unconditionally to be bound by the terms of this EULA, even if this EULA is deemed to be a modification of any previous arrangement or contract. If You do not agree to the terms of this EULA, DSC is unwilling to license the SOFTWARE PRODUCT to You, and You have no right to use it.

SOFTWARE PRODUCT LICENSE

The SOFTWARE PRODUCT is protected by copyright laws and international copyright treaties, as well as other intellectual property laws and treaties. The SOFTWARE PRODUCT is licensed, not sold. **1. GRANT OF LICENSE** This EULA grants You the following rights: (a) Software Installation and Use - For each license You acquire, You may have only one copy of the SOFTWARE PRODUCT installed. (b) Storage/Network Use - The SOFTWARE PRODUCT may not be installed, accessed, displayed, run, shared or used concurrently on or from different computers, including a workstation, terminal or other digital electronic device ("Device"). In other words, if You have several workstations, You will have to acquire a license for each workstation where the SOFTWARE will be used. (c) Backup Copy - You may make back-up copies of the SOFTWARE PRODUCT, but You may only have one copy per license installed at any given time. You may use the back-up copy solely for archival purposes. Except as expressly provided in this EULA, You may not otherwise make copies of the SOFTWARE PRODUCT, including the printed materials accompanying the SOFTWARE. **2. DESCRIPTION OF OTHER RIGHTS AND LIMITATIONS** (a) Limitations on Reverse Engineering, Decompilation and Disassembly - You may not reverse engineer, decompile, or disassemble the SOFTWARE PRODUCT, except and only to the extent that such activity is expressly permitted by applicable law notwithstanding this limitation. You may not make any changes or modifications to the Software, without the written permission of an officer of DSC. You may not remove any proprietary notices, marks or labels from the Software Product. You shall institute reasonable measures to ensure compliance with the terms and conditions of this EULA. (b) Separation of Components - The SOFTWARE PRODUCT is licensed as a single product. Its component parts may not be separated for use on more than one HARDWARE unit. (c) Single INTEGRATED PRODUCT - If You acquired this SOFTWARE with HARDWARE, then the SOFTWARE PRODUCT is licensed with the HARDWARE as a single integrated product. In this case, the SOFTWARE PRODUCT may only be used with the HARDWARE as set forth in this EULA. (d) Rental - You may not rent, lease or lend the SOFTWARE PRODUCT. You may not make it available to others or post it on a server or web site. (e) Software Product Transfer - You may transfer all of Your rights under this EULA only as part of a permanent sale or transfer of the HARDWARE, provided You retain no copies, You transfer all of the SOFTWARE PRODUCT (including all component parts, the media and printed materials, any upgrades and this EULA), and provided the recipient agrees to the terms of this EULA. If the SOFTWARE PRODUCT is an upgrade, any transfer must also include all prior versions of the SOFTWARE PRODUCT. (f) Termination - Without prejudice to any other rights, DSC may terminate this EULA if You fail to comply with the terms and conditions of this EULA. In such event, You must destroy all copies of the SOFTWARE PRODUCT and all of its component parts. (g) Trademarks - This EULA does not grant You any rights in connection with any trademarks or service marks of DSC or its suppliers. **3. COPYRIGHT** - All title and intellectual property rights in and to the SOFTWARE PRODUCT (including but not limited to any images, photographs, and text incorporated into the SOFTWARE PRODUCT), the accompanying printed materials, and any copies of the SOFTWARE PRODUCT, are owned by DSC or its suppliers. You may not copy the printed materials accompanying the SOFTWARE PRODUCT. All title and intellectual property rights in and to the content which may be accessed through use of the SOFTWARE PRODUCT are the property of the respective content owner and may be protected by applicable copyright or other intellectual property laws and treaties. This EULA grants You no rights to use such content. All rights not expressly granted under this EULA are reserved by DSC and its suppliers. **4. EXPORT RESTRICTIONS** - You agree that You will not export or re-export the SOFTWARE PRODUCT to any country, person, or entity subject to Canadian export restrictions. **5. CHOICE OF LAW** - This Software License Agreement is governed by the laws of the Province of Ontario, Canada. **6. ARBITRATION** - All disputes arising in connection with this Agreement shall be determined by final and binding arbitration in accordance with the Arbitration Act, and the parties agree to be bound by the arbitrator's decision. The place of arbitration shall be Toronto, Canada, and the language of the arbitration shall be English. **7. LIMITED WARRANTY** (a) NO WARRANTY - DSC PROVIDES THE SOFTWARE "AS IS" WITHOUT WARRANTY. DSC DOES NOT WARRANT THAT THE SOFTWARE WILL MEET YOUR REQUIREMENTS OR THAT OPERATION OF THE SOFTWARE WILL BE UNINTERRUPTED OR ERROR-FREE. (b) CHANGES IN OPERATING ENVIRONMENT - DSC shall not be responsible for problems caused by changes in the operating characteristics of the HARDWARE, or for problems in the interaction of the SOFTWARE PRODUCT with non-DSC SOFTWARE or HARDWARE PRODUCTS. (c) LIMITATION OF LIABILITY; WARRANTY REFLECTS ALLOCATION OF RISK - IN ANY EVENT, IF ANY STATUTE IMPLIES WARRANTIES OR CONDITIONS NOT STATED IN THIS LICENSE AGREEMENT, DSC'S ENTIRE LIABILITY UNDER ANY PROVISION OF THIS LICENSE

AGREEMENT SHALL BE LIMITED TO THE GREATER OF THE AMOUNT ACTUALLY PAID BY YOU TO LICENSE THE SOFTWARE PRODUCT AND FIVE CANADIAN DOLLARS (CAD\$5.00). BECAUSE SOME JURISDICTIONS DO NOT ALLOW THE EXCLUSION OR LIMITATION OF LIABILITY FOR CONSEQUENTIAL OR INCIDENTAL DAMAGES, THE ABOVE LIMITATION MAY NOT APPLY TO YOU. (d) DISCLAIMER OF WARRANTIES - THIS WARRANTY CONTAINS THE ENTIRE WARRANTY AND SHALL BE IN LIEU OF ANY AND ALL OTHER WARRANTIES, WHETHER EXPRESSED OR IMPLIED (INCLUDING ALL IMPLIED WARRANTIES OF MERCHANTABILITY OR FITNESS FOR A PARTICULAR PURPOSE) AND OF ALL OTHER OBLIGATIONS OR LIABILITIES ON THE PART OF DSC. DSC MAKES NO OTHER WARRANTIES. DSC NEITHER ASSUMES NOR AUTHORIZES ANY OTHER PERSON PURPORTING TO ACT ON ITS BEHALF TO MODIFY OR TO CHANGE THIS WARRANTY, NOR TO ASSUME FOR IT ANY OTHER WARRANTY OR LIABILITY CONCERNING THIS SOFTWARE PRODUCT. (e) EXCLUSIVE REMEDY AND LIMITATION OF WARRANTY - UNDER NO CIRCUMSTANCES SHALL DSC BE LIABLE FOR ANY SPECIAL, INCIDENTAL, CONSEQUENTIAL OR INDIRECT DAMAGES BASED UPON BREACH OF WARRANTY, BREACH OF CONTRACT, NEGLIGENCE, STRICT LIABILITY, OR ANY OTHER LEGAL THEORY. SUCH DAMAGES INCLUDE, BUT ARE NOT LIMITED TO, LOSS OF PROFITS, LOSS OF THE SOFTWARE PRODUCT OR ANY ASSOCIATED EQUIPMENT, COST OF CAPITAL, COST OF SUBSTITUTE OR REPLACEMENT EQUIPMENT, FACILITIES OR SERVICES, DOWN TIME, PURCHASER'S TIME, THE CLAIMS OF THIRD PARTIES, INCLUDING CUSTOMERS, AND INJURY TO PROPERTY. **WARNING:** DSC recommends that the entire system be completely tested on a regular basis. However, despite frequent testing, and due to, but not limited to, criminal tampering or electrical disruption, it is possible for this SOFTWARE PRODUCT to fail to perform as expected. The term IC before the radio certification number signifies that the Industry Canada technical specifications were met. This Class B digital apparatus complies with Canadian ICES-003. This device complies with RSS-247 of Industry Canada. Operation is subject to the following two conditions: (1) this device may not cause interference, and (2) this device must accept any interference, including interference that may cause undesired operation of the device. Cet appareil numérique de la classe B est conforme à la norme NMB-003 du Canada. Ce dispositif satisfait aux exigences d'Industrie Canada, prescrites dans le document CNR-247, son utilisation est autorisée seulement aux conditions suivantes: (1) il ne doit pas produire de brouillage et (2) l'utilisateur du dispositif doit être prêt à accepter tout brouillage radioélectrique reçu, même si ce brouillage est susceptible de compromettre le fonctionnement du dispositif.

FREPrésentation de PG9872/PG8872/PG4872

Le PGx872 est un détecteur PIR sans fil de présence/sécurité intelligent pour plafond (mode sélectionné) qui crée une zone de couverture de 360° pour détecter le mouvement des intrus en intérieur. Le détecteur présente les caractéristiques suivantes:

- Mode Détection de présence - actif 15 minutes après l'installation (mise sous tension) puis ensuite seulement lorsque la centrale est en mode À l'arrêt.
- Mode Détection de sécurité - fonctionne comme un détecteur de mouvement normal.
- Les indicateurs intégrés de qualité de la liaison évitent à l'installateur de devoir se trouver à proximité physique de la centrale et réduisent le temps d'installation.
- L'appareil assure une fonction de signalement du niveau de température et de lumière aux systèmes d'alarme compatibles prenant en charge les capteurs de température et de lumière.
- Auto-protection.
- Technologie bidirectionnelle PowerG Frequency Hopping Spread Spectrum FHSS-TDMA.
- L'algorithme avancé True Motion Recognition™ (breveté) fait la distinction entre les mouvements réels d'un intrus et toute autre perturbation susceptible de déclencher de fausses alertes.

REMARQUE : Pour les installations certifiées, le détecteur ne doit être utilisé qu'avec des unités de contrôle certifiées UL.

Légende

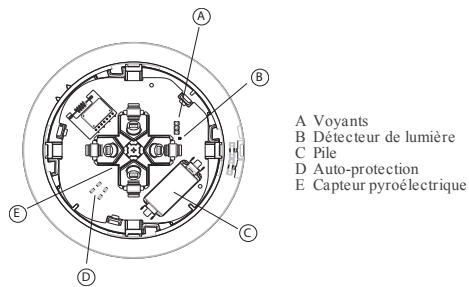


Figure 1. Vue interne

1. Insertion ou remplacement de la pile

Pour insérer la pile, procédez comme suit.

1. Pour détacher le détecteur du support de montage, faites tourner le support dans le sens contraire des aiguilles d'une montre et extrayez-le du détecteur.

2. Insérez de la pile en orientant convenablement les pôles.

REMARQUE : Si la pile est déjà en place, tirez sur la languette d'isolation dépassant à l'arrière du détecteur.

3. Alignez les pattes du support sur les encoches du détecteur et faites tourner le détecteur dans le sens des aiguilles d'une montre pour vous assurer qu'il est solidement fixé.

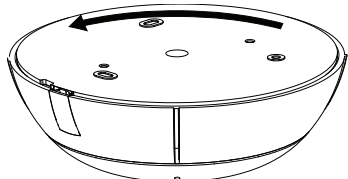


Figure 2. Retrait du support

REMARQUE : Si vous utilisez une vis pour fixer le détecteur au support (voir Figure 3), ouvrez le cache de la vis et retirez-la. Pour détacher le détecteur du support de montage, vérifiez que le cache de la vis est totalement ouvert ou totalement fermé, et faites tourner le détecteur dans le sens contraire des aiguilles d'une montre. Remplacez la pile en orientant correctement les pôles, remettez et détecteur en place et fixez le support avec la vis.

REMARQUE : Il est conseillé d'attendre 1 minute après le retrait de la pile avant d'en insérer une neuve.

Avertissement ! risque d'explosion si vous remplacez la pile par une pile de type incorrect. Mettez les piles usagées au rebut en suivant les instructions du fabricant et conformément aux règles et réglementations locales.

2. Enregistrement

Pour des informations détaillées sur la procédure d'enregistrement, consultez le manuel d'installation de la centrale. Une description générale de la procédure est indiquée dans le tableau suivant :

Étape Procédure

1. Consultez le manuel d'installation du système d'alarme dans lequel l'appareil est enregistré afin de suivre la procédure adéquate.
2. Utilisez la méthode préconisée pour accéder à l'option d'enregistrement de l'appareil et sélectionnez l'option correspondante pour ajouter un nouvel appareil.
3. Enregistrez l'appareil, soit en insérant la pile pour mettre l'appareil sous tension jusqu'à ce que l'enregistrement soit détecté, soit en saisissant l'ID de l'appareil. Tirez sur la languette d'enregistrement ou insérez la pile pour allumer l'appareil et lancer la procédure d'auto-enregistrement. Vous pouvez aussi entrer l'ID:XXX-XXXX (numéro de l'appareil imprimé sur l'étiquette), si l'appareil ne s'enregistre pas automatiquement.

4. Sélectionnez le Numéro de zone voulu.
5. Configurez les paramètres nécessaires de l'appareil.
6. Montez et testez le détecteur. Pour savoir comment tester l'appareil, consultez la section **Test de déplacement / test de diagnostic local**. Consultez également le manuel d'installation de système d'alarme dans lesquels l'appareil est enregistré pour connaître la procédure à suivre.

REMARQUE : Si le détecteur est déjà enregistré, vous pouvez configurer ses paramètres en programmant le système. Pour plus d'informations sur les paramètres de l'appareil, consultez le manuel d'installation de système d'alarme.

REMARQUE : lors de l'enregistrement du détecteur PGx972 dans les centrales sans fil (WP80XX) dotées de la version 19.4 ou inférieure, celui-ci est enregistré en tant que détecteur de mouvements (ID 120-xxxx) et identifié par 'PERIF IR' dans la centrale.

3. Conseils d'installation

Utilisez les informations suivantes pour identifier un emplacement de montage adapté.

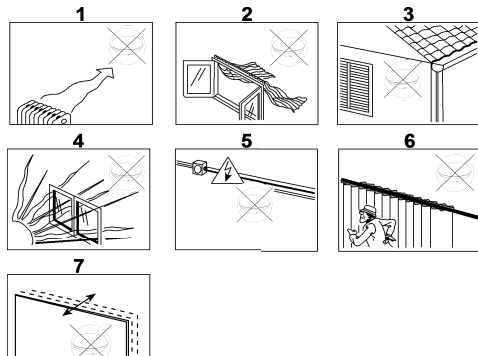


Figure 3. Consignes générales

1. Tenez l'appareil à l'écart de toute source de chaleur.
 2. Ne l'exposez pas aux courants d'air.
 3. Ne l'installez pas en extérieur.
 4. Évitez l'exposition directe aux rayons du soleil.
 5. N'installez pas l'appareil à proximité de lignes électriques à haute tension.
 6. N'installez pas l'appareil derrière une cloison.
 7. Procédez au montage sur une surface stable solide.
- ATTENTION !** N'obstruez pas, totalement ou partiellement, le champ de vision du détecteur.
- ATTENTION !** Pour des raisons de conformité aux normes d'exposition aux fréquences radio FCC et ISED Canada, le détecteur PIR doit être distant d'au moins 20 cm de toute personne, en conditions de fonctionnement normales. Les antennes utilisées pour ce produit ne doivent pas être positionnées dans un même espace, ni utilisées avec une autre antenne ou émetteur.

REMARQUE : Le Détecteur PIR sans fil de présence/sécurité pour plafond PGx872 sera installé et utilisé dans un environnement non dangereux où le niveau de pollution est inférieur à 2 et où il est exposé à des tensions de catégorie II. L'équipement est conçu pour être installé par du personnel de maintenance qualifié uniquement.

REMARQUE : Installez le PGx872 conformément à la Norme d'installation et de classification des systèmes d'alarme anti-effraction résidentiels UL 1641.

4. Test de déplacement / test de diagnostic local

Avant d'installer un appareil sans fil de manière définitive, montez l'appareil provisoirement et procédez à un test de déplacement. Exécutez un test de déplacement dans la zone de couverture au moins une fois par semaine pour vous assurer que le détecteur fonctionne correctement. Après avoir inséré la pile ou fermé le support, le détecteur entre automatiquement dans une phase de stabilité pendant laquelle le voyant ROUGE s'éclaire pendant 90 secondes. Marchez dans la zone. Le voyant rouge s'éclaire à chaque fois que votre mouvement est détecté,

puis clignote trois fois. La couleur des trois clignotements indique la puissance du signal reçu. En mode de test de déplacement, quel que soit le statut de sélection des voyants, le voyant s'éclaire à chaque fois qu'un mouvement est détecté. Au bout de 15 minutes, le détecteur passe automatiquement en mode normal. Le tableau ci-dessous indique la puissance du signal reçu.

Voyant	Puissance du signal
Le voyant vert clignote 3 fois	FORT
Le voyant orange clignote 3 fois	BON
Le voyant rouge clignote 3 fois	FAIBLE
Aucun clignotement	Pas de comm.

IMPORTANT ! Seul un signal BON ou FORT est acceptable. Si vous recevez un signal FAIBLE de l'appareil, changez-le d'emplacement et recommencez les tests jusqu'à obtenir un signal BON ou FORT.

REMARQUE : Pour les installations conformes UL/ULC, seul un signal FORT est acceptable. Après l'installation, vérifiez le fonctionnement du produit avec les centrales HSM2HOST9, HS2LCDRF (P)9, HS2ICNRF(P)9, PG9920, WS900-19 et WS900-29, compatibles.

REMARQUE : Pour des instructions de positionnement détaillées, consultez le manuel de référence de la centrale.

Effectuez le test de déplacement dans toute la zone de couverture en traversant d'un bout à l'autre la zone, dans les deux directions. Le voyant rouge s'éclaire à chaque fois que votre mouvement est détecté, puis le voyant d'indication de la puissance du signal s'éclaire.

5. Montage de l'appareil

1. Marquez et percez deux trous dans la surface de montage. Si vous installez l'autoprotection sur le détecteur, marquez et percez un trou pour l'autoprotection et un trou pour une des autres encoches disponibles.
2. Fixez le support à la surface de montage avec deux vis.
3. Alignez les pattes du support sur les encoches du détecteur et faites tourner le détecteur dans le sens des aiguilles d'une montre. Vérifiez qu'il est solidement fixé.
4. Fixez le détecteur au support avec la vis.

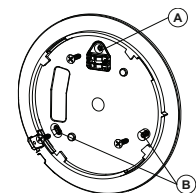


Figure 4. Fixation du support

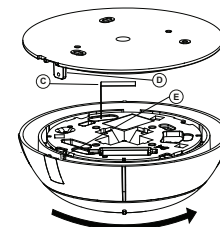


Figure 5. Assemblage du détecteur

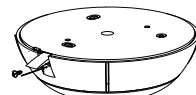


Figure 6. Fixation du détecteur

Le tableau ci-dessous indique la distance de détection en fonction de la hauteur de montage.

Hauteur	2 m	3 m	4 m	5 m	6 m
	(6,6 pi)	(9,8 pi)	(13,1 pi)	(16,4 pi)	(19,7 pi)
Rayon de détection	3,1 m (10,2 pi)	3,75 m (12,3 pi)	4,5 m (14,8 pi)	6,5 m (21,3 pi)	10 m (32,8 pi)

6. Activité de la LED

Signaux lumineux	Événement
Voyant rouge clignotant	Stabilisation (préparation 90 sec)
Voyant rouge allumé 0,2 sec.	Ouverture/fermeture autoprotection
Voyant rouge allumé 2 sec.	Alerte intrusion

Affichage de la température

Pour savoir comment afficher sur la centrale adéquate la température des zones, mesurée par le détecteur PGx872, consultez le guide d'installation de la centrale.

Caractéristiques techniques

Générales

Type de détecteur

Quatre capteurs pyroélectriques fonctionnant dans une configuration séparée double

Optique

Lentille

Lentille de type Fresnel.

Nombre de faisceaux : 120

Couverture max

Ø20 m/360° à la hauteur maximale d'installation de 6 m (19,7 pied)

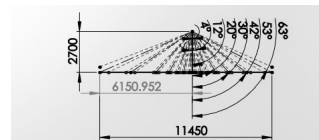


Figure 7. Distribution du faisceau à 2,7 m (8,9 ft)

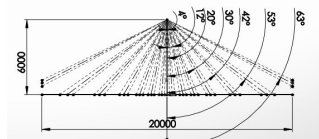


Figure 8. Distribution du faisceau à 6 m (19,7 ft)

Caractéristiques électriques

Alimentation

Pile interne Lithium 3V type CR123A. Dans le cadre d'installations UL/cUL, utilisez uniquement des piles Panasonic ou GP. Source d'alimentation EN50131-6 type C

Autonomie (utilisation courante)

1 an minimum. 3 ans en mode d'utilisation courante / sécurité (non vérifié par UL). 2 ans en mode présence avec horloge réglée sur 15 min (non vérifié par UL).

Seuil pile faible

2,5 V

REMARQUE : L'incapacité à se connecter au réseau sans fil, ou une qualité de réception sans fil inférieure à 20 % peut réduire considérablement la durée de vie de la pile.

Test de la pile

Effectué immédiatement après l'insertion de la pile et régulièrement toutes les quelques heures.
L'alimentation est de type C, conformément à la Documentation EN 50131-6 – Clause 6.

Consommation électrique
Consommation moyenne au repos 30 µA, 150 mA maximum (en transmission)

Caractéristiques de fonctionnement
Vérification des événements par True Motion Recognition
2 sélections à distance sur la centrale
Période d'alarme
2 secondes

Communication sans fil
Fréquence
Europe et reste du monde : 433-434 MHz, 868-869 MHz États-Unis : 912-919 MHz

REMARQUE : Seuls les appareils utilisant la bande de fréquences 915 MHz sont certifiés UL/ULC.

Protocole de communication : PowerG

Supervision
Signaux espacés de 256 sec.

Alerte d'autoprotection
Émise en cas de sabotage et d'émission du message correspondant jusqu'à ce que le commutateur d'auto-protection soit remis en place.

Montage
Hauteur
2 m à 6 m (6,6 pied - 19,7 pied)

Options d'installation
Surface du plafond
Conditions environnementales
Immunité aux fréquences radio
20 V/m jusqu'à 1000 MHz, 10 V/m jusqu'à 2700 MHz
Températures en fonctionnement
-10°C à 55°C (14 °F à 131 °F)

REMARQUE : Fonctionnement conforme UL vérifié uniquement entre 0°C et 49°C.

Températures en stockage
-20°C à 60°C (-4 °F à 140 °F)

Humidité
Humidité relative moyenne jusqu'à environ 75 % sans condensation. Pendant 30 jours par an, l'humidité relative peut varier entre 85 % et 95 % sans condensation.

Pour les installations certifiées UL : 5 % à 93 % sans condensation

Dimensions
Taille (diamètre)

15 cm

Poids (avec pile)

110 g

Couleur

Blanc

Récepteurs compatibles

Cet appareil peut être utilisé avec les centrales et récepteurs DSC qui utilisent la technologie PowerG.

Remarque: Seuls les appareils fonctionnant dans la bande de fréquences 912-919 MHz sont conformes UL/ULC.

CE Europe: CE/EN (EN50131-2-2 GRADE 2, CLASS II, EN50131-6 Type C) PG8872: 868 MHz PG4872: 433 MHz

Selon les normes EN 50131-1, cet équipement peut être intégré dans les systèmes installés jusqu'à et y compris la classe environnementale II, niveau de sécurité 2. Certifié par Applica Test & Certification AS selon les normes EN 50131-2-2, EN 50131-5-3, EN 50131-6, EN 50130-4, EN 50130-5. Royaume-Uni: Le PG8872 convient pour l'utilisation dans les systèmes installés pour se conformer à la norme PD6662 à la classe environnementale 2 et de niveau 2 BS8243.

Déclaration EU de Conformité Simplifiée

Le soussigné, Tyco Safety Products Canada Ltd déclare que le type d'équipement radioélectrique est conforme à la directive 2014/53/UE.

Le texte complet de la déclaration UE de conformité est disponible à l'adresse internet suivante:

PG4872: <http://dsc.com/pdf/1710003>
PG8872: <http://dsc.com/pdf/1710004>

Bandes de fréquences Puissance maximale

868.0 MHz - 868.6 MHz 10 mW
868.7 MHz - 869.2 MHz 10 mW

Point de contact unique en Europe: Tyco Safety Products, Voltaweg 20, 6101 XK Echt, Pays-Bas.

ESP PG9872/PG8872/PG4872 Información general

El PGx872 es un detector inalámbrico infrarrojo pasivo (PIR) de presencia y seguridad inteligente para montaje en techo (modo seleccionado) que crea un área de cobertura de 360° para detectar el movimiento de intrusos en áreas interiores.

El detector presenta las siguientes características:

- Modo de detección de presencia: activar 15 minutos después de la instalación (encendido), únicamente cuando el panel está en el modo Desactivar.
- Modo de detección de seguridad: funciona como un detector de movimiento de seguridad normal.
- Gracias a los indicadores de calidad del enlace incorporados, el instalador no necesita acercarse físicamente al panel de control y el tiempo de instalación se reduce.
- El dispositivo es compatible con informes de temperatura y de nivel de luz a sistemas de alarma compatibles, que admiten sensores de temperatura y de luz.
- Protección contra manipulación.
- Tecnología TDMA bidireccional Power-G de salto de frecuencias de espectro amplio (FHSS).
- El algoritmo patentado Advanced True Motion Recognition™ distingue entre el verdadero movimiento de un intruso y cualquier otra perturbación que pueda causar falsas alarmas.

Nota: En el caso de instalaciones UL, el detector se debe utilizar únicamente con unidades de control homologadas por UL.

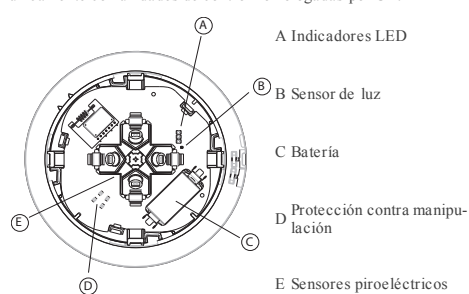


Figura 1. Vista interna

Introducción o cambio de la batería

Insertar la batería y hacer lo siguiente:

1. Para separar el detector del soporte de montaje, gire el soporte en el sentido antihorario y extráigalo del detector.
2. Inserte la batería teniendo en cuenta la polaridad.

Nota: Si la batería ya está instalada, tire de la banda de aislamiento que sobresale de la parte posterior del detector.

3. Alinee las pestañas del soporte con las ranuras del detector y gire el detector en el sentido horario, para verificar que está bien sujeto.

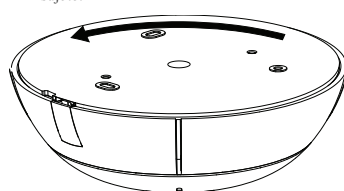


Figura 2. Extracción del soporte

Nota: Si se usa un tornillo para fijar el detector al soporte (ver la figura 3), abra la tapa del tornillo y quítelo. Para separar el detector del soporte de montaje, asegúrese de que la tapa del tornillo está totalmente abierta o totalmente cerrada y gire el detector en el sentido antihorario. Al cambiar la batería, asegúrese de que la polaridad sea la correcta, reemplace el detector y fíjelo al soporte con el tornillo.

Nota: Se recomienda esperar aproximadamente 1 minuto después de extraer la batería antes de introducir la nueva.

¡Cuidado! Riesgo de explosión si se sustituye la batería por un tipo inadecuado. La eliminación de baterías usadas se debe efectuar acorde con las instrucciones del fabricante y de conformidad con las reglas y regulaciones locales.

Registro

Para información sobre el procedimiento de registro, consulte el manual de instalación del panel.

En el siguiente diagrama de flujo se provee una descripción general del procedimiento:

Etapas Procedimiento

1. Para garantizar la aplicación de las etapas apropiadas, consulte el manual de instalación del sistema de alarma en el que el dispositivo está registrado.
2. Entre en la opción Registro de dispositivo por medio del método especificado y elija la opción apropiada para agregar el nuevo dispositivo.
3. Para registrar el dispositivo, introduzca la batería para encenderlo hasta que se detecte el registro, o escriba el identificador (ID) del aparato.
Tire de la lengüeta de registro o introduzca la batería para encender el dispositivo y comenzar el proceso de registro automático.
Nota: Otra posibilidad, si el dispositivo no registra automáticamente, es introducir ID:XXX-XXXX (el número del dispositivo que figura en la etiqueta).
4. Elija el número de la zona deseada.
5. Configure todos los parámetros del dispositivo que sean necesarios.
6. Montar y probar el detector. Para obtener información acerca de cómo probar el dispositivo, consulte **Prueba de recorrido o prueba de diagnóstico local**. Consulte también el manual de instalación de sistema de alarma, para comprobar si el dispositivo está registrado o para ver otros procedimientos de prueba que sean necesarios.

Nota: Si el detector ya está registrado, puede configurar sus parámetros mediante la programación del sistema. Para más información sobre los parámetros del dispositivo, consulte el manual de instalación de alarma.

Nota: Al registrar el detector PGx972 en los paneles inalámbricos (WP80XX) con la versión 19.4 o anteriores, el detector se registrará como detector de movimiento, ID 120-xxxx y se etiquetará como 'Motion Sens' en el panel.

Consejos para la instalación

Utilizar la siguiente información como guía para localizar un lugar de montaje adecuado.

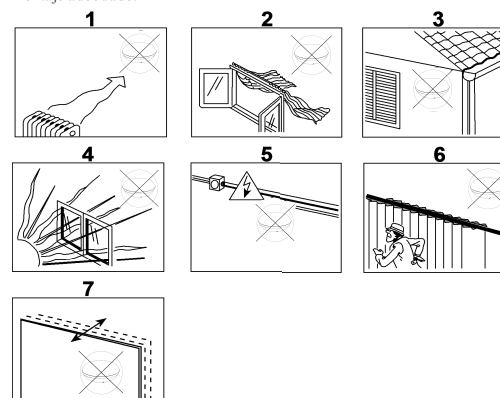


Figura 3. Lineamientos generales

1. Mantener alejado de fuentes de calor.
2. No exponer a corrientes de aire.
3. No instalar al aire libre.
4. Evitar la luz solar directa.
5. No instalar cerca de líneas eléctricas de alta tensión.
6. No instalar detrás de particiones.
7. Montar sobre una superficie estable y sólida.
¡ADVERTENCIA! No obstaculice el campo de visión del detector de forma parcial ni total.
¡ADVERTENCIA! Para cumplir con los requisitos de cumplimiento de normas de exposición de FCC e ISED Canada RF, el panel de control se debe ubicar a una distancia de al menos 20 cm de todas las

personas durante el funcionamiento normal. Las antenas que se utilizan para este producto no se deben instalar ni utilizar junto con otra antena u otro transmisor.

Nota: El PGx872 Detector inalámbrico infrarrojo pasivo (PIR) de presencia y seguridad para montaje en techo se debe instalar y utilizar en un entorno que provea el nivel de contaminación máximo de 2 y la categoría de sobretensión II en LUGARES NO PELIGROSOS. El equipo está diseñado para ser instalado solo por personal de servicio capacitado.

Nota: PGx872 se debe instalar de conformidad con la Norma de Instalación y Clasificación de Sistemas de Alarma de robo y asalto, UL 1641.

Prueba de recorrido o prueba de diagnóstico local

Antes del montaje permanente de cualquier dispositivo inalámbrico, móntelo temporalmente y haga una prueba de recorrido. Por lo menos una vez por semana, haga una prueba de recorrido del área de cobertura, para asegurarse de que el detector funciona correctamente. Después de introducir la pila o de cerrar el dispositivo, el detector entra automáticamente en un periodo de estabilidad cuando el indicador LED destella en ROJO durante 90 segundos. Al efectuar la prueba de recorrido del área de cobertura, cada vez que se detecte su movimiento, el indicador LED se enciende en rojo, seguido de tres destellos. El color de los tres destellos del indicador LED indican la potencia de la señal recibida. En el modo de prueba de recorrido, sea cual sea el estado de selección del indicador LED, este se enciende cada vez que se detecta movimiento. Al cabo de 15 minutos, el detector entra automáticamente en el modo normal.

En la siguiente tabla se indica la potencia de la señal recibida.

Respuesta del indicador LED	Potencia de señal
Tres destellos del indicador LED verde	ALTA
Tres destellos del indicador LED naranja	BUENA
Tres destellos del indicador LED rojo	BAJA
Sin parpadeo	Sin comunicación

¡IMPORTANTE! Las únicas potencias de señal aceptables son BUENA o ALTA. Si recibe una señal BAJA del dispositivo, reubíquelo y vuelva a probar hasta que reciba una potencia de señal BUENA o ALTA.

Nota: En instalaciones de UL/ULC, solo se admite una potencia de señal ALTA. Después de la instalación, verifique la funcionalidad del producto junto con los paneles de control compatibles HSM2HOST9, HSL2CDR(P)9, HS21CNR(P)9, PG9920, WS900-19 y WS900-29.

Nota: Para ver instrucciones de colocación, consulte el manual de referencia del panel de control.

Efectúe una prueba de recorrido del área de cobertura caminando por el extremo más lejano del patrón de cobertura, en ambas direcciones. Cada vez que se detecte su movimiento, el indicador LED se enciende en rojo, seguido de una indicación de potencia de señal del indicador LED.

Montaje del dispositivo

1. Marque y taladre dos orificios en la superficie de montaje. Si instala en el detector una protección contra manipulación, marque y perforo un orificio para dicha protección y un orificio para una de las otras ranuras disponibles.
2. Fije el soporte a la superficie de montaje con los dos tornillos.
3. Alinee las pestañas del soporte con las ranuras del detector y gire el detector en el sentido horario. Verifique que esté bien sujeto.
4. Sujete el detector al soporte con el tornillo.

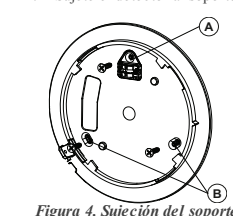


Figura 4. Sujeción del soporte

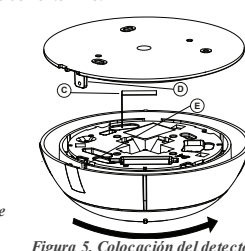


Figura 5. Colocación del detector

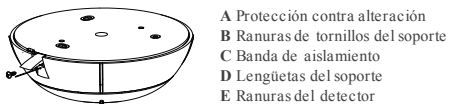


Figura 6. Sujeción del detector

En la siguiente tabla se indica la distancia de detección en relación con la altura de montaje.

Altura	2 metros	3 metros	4 metros	5 metros	6 metros
	20,12 metros	29,87 metros	39,93 metros	50 metros	19,7 metros
Distancia de detección de radio	3,1 metros 31,09 metros	3,75 metros 37,49 metros	4,5 metros 45,12 metros	6,5 metros 64,92 metros	10 metros 99,97 metros

Utilización del LED

Indicaciones del LED	Evento
El indicador LED rojo parpadea	Estabilización (90 segundos de calentamiento)
Indicador LED rojo encendido durante 0,2 segundos	Abrir o cerrar protección contra manipulación
Indicador LED rojo encendido durante 2 segundos	Alarma de intruso

Indicación de temperatura

Para obtener instrucciones sobre la indicación de la temperatura de zonas en el panel correcto según las mediciones del PGx872, consulte la guía de instalación del panel.

Especificaciones

General

Tipo de detector

Cuatro sensores piroeléctricos que funcionan en una configuración dual separada

Ópticas

Información sobre la lente

Lente de tipo Fresnel.

Cantidad de haces: 120

Cobertura máxima

Ø20 m/360° a una altura de instalación máxima de 6 metros (19,7 pies)

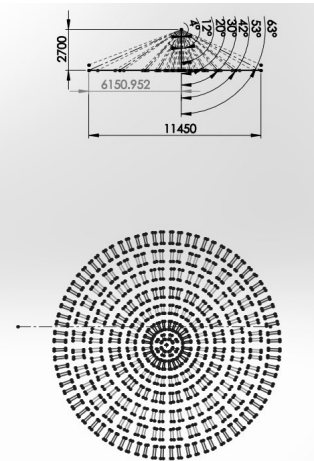


Figura 7. Distribución de haz a 2,7 m (8,9 ft)

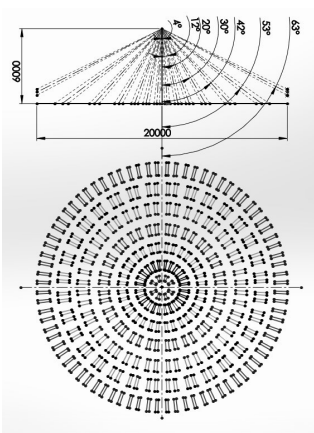


Figura 8. Distribución de haz a 6 m (19,7 ft)

Eléctricas

Fuente de alimentación

Pila de litio interna de 3 voltios, tipo CR123A. En el caso de instalaciones UL/CUL, utilice solo pilas Panasonic o GP. Fuente de alimentación EN50131-6 tipo C

Vida útil de la batería, en uso normal

Como mínimo 1 año. Para uso habitual en el modo de seguridad, 3 años (no verificado por UL). En el modo de presencia, 2 años, con temporizador fijado en 15 minutos (no verificado por UL).

Umbral de batería baja

2,5 voltios

Nota: La incapacidad de conectarse con una red inalámbrica o una calidad de enlace inalámbrico no superior al 20% podrían reducir significativamente la vida útil prevista de la batería.

Prueba de potencia de batería

Se efectúa inmediatamente después de introducir la batería y periódicamente cada tantas horas.

La fuente de alimentación es del tipo C, de conformidad con la Documentación EN 50131-6, cláusula 6.

Consumo actual

Corriente de reposo promedio 50 µA, máxima 150 mA (durante la transmisión)

Funcional

Verificación de evento de movimiento verdadero

2 selecciones remotas en el panel

Período de alarma:

2 segundos

Inalámbrico

Frecuencia

Europa y resto del mundo: 433 a 434 MHz, 868 a 869 MHz EE.UU.: 912 a 919 MHz

Nota: Solo dispositivos que funcionan en la banda de 915 MHz están homologados por UL/ULC.

Protocolo de comunicaciones:

PowerG

Supervisión

Señalización a intervalos de 256 segundos

Alerta de manipulación

Se notifica durante un evento de manipulación y en cada mensaje subsiguiente, hasta que el interruptor de seguridad se restablezca.

Montaje

Peso

2 a 6 metros (6,6 - 19,7 pies)

Opciones de instalación

Superficie del techo

Ambientales

Inmunidad a RF

20 V/m hasta 1000 MHz, 10 V/m hasta 2700 MHz

Temperaturas de funcionamiento

-10 a 55°C.

Nota: Margen de operación verificado por UL, 0 °C a 49 °C únicamente.

Temperaturas de almacenamiento

-20 °C a 60 °C.

Humedad

Humedad relativa promedio de hasta un 75%, sin condensación. Durante 30 días al año, la humedad relativa puede variar entre el 85% y el 95%, sin condensación.

Para instalaciones UL: 5% a 93% sin condensación

Físicas

Tamaño (diámetro)

15 cm

Peso (incluida la batería)

110 gramos

Color

Blanco

Receptores compatibles

Este dispositivo se puede utilizar con paneles y receptores DSC que utilizan la tecnología PowerG.

Nota: Solo dispositivos que funcionan en la banda de 912 a 919 MHz están homologados por UL/ULC.



Europa: CE/EN (EN50131-2-2 GRADE 2, CLASS II, EN50131-6 Tipo C) PG8872: 868 MHz PG4872: 433 MHz.

De acuerdo con las normas EN 50131-1, este equipo puede ser aplicado en sistemas instalados hasta e incluyendo el Grado 2 de Seguridad, Clase ambiental II. Certificado por Applica Test & Certification AS según las siguientes normas EN 50131-2-2, EN 50131-5-3, EN 50131-6, EN 50130-4, EN 50130-5. Reino Unido: El modelo PG8872 es adecuado para uso en sistemas instalados para cumplir con PD6662 en el Grado 2 y Clase ambiental 2 BS8243.

Declaración UE de Conformidad Simplificada

Por la presente, Tyco Safety Products Canada Ltd declara que el tipo de equipo radioeléctrico es conforme con la Directiva 2014/53/UE. El texto completo de la declaración UE de conformidad está disponible en la dirección Internet siguiente:

PG4872: <http://dsc.com/pdf/1710003>

PG8872: <http://dsc.com/pdf/1710004>

Bandas de frecuencia	Potencia máxima
868.0 MHz - 868.6 MHz	10 mW
868.7 MHz - 869.2 MHz	10 mW

Punto de contacto único en Europa: Tyco Safety Products, Voltaweg 20, 6101 XK Echt, Holanda.

FOR PG9872/PG8872/PG4872 Visão geral

Introdução

A PGx872 é um detector inteligente de presença/segurança PIR de teto sem fio (modo selecionado) que cria uma área de cobertura de 360° para detectar o movimento de intrusos em áreas internas. O detector tem os seguintes recursos:

- Modo de detecção de presença – ative 15 minutos após a instalação (acionamento) e depois, somente quando painel estiver no modo Desarmar.
- Modo de detecção de segurança – funciona como um detector normal de segurança de movimento.
- Indicadores de qualidade de conexão embutidos eliminam a necessidade de um instalador para se aproximar fisicamente do painel de controle e reduz o tempo de instalação.
- O dispositivo suporta avisos de temperatura e nível de luz para sistemas de alarme compatíveis que aceitem sensores de temperatura e luz.
- Proteção contra violação.
- Tecnologia FHSS-TDMA de Espectro de alastramento com mudança de frequência de duas vias PowerG.
- O algoritmo avançado True Motion Recognition™ (patenteado) diferencia os verdadeiros movimentos de um invasor e quaisquer outros distúrbios que possam causar alarmes falsos.

Obs.: Para instalações de UL: o detector só deve ser usado com unidades de controle listada em UL.

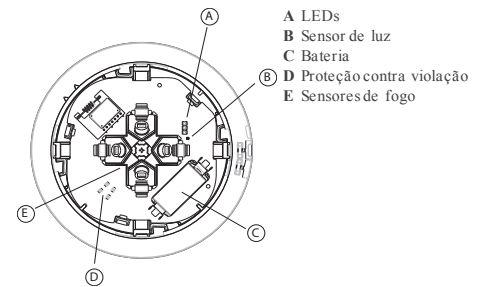


Figura 1. Visão interna

Inserir ou trocar a pilha

Para inserir a bateria, execute os seguintes passos.

1. Para separar o detector do suporte de montagem, gire o suporte em sentido anti-horário e puxe-o do detector.
2. Insira a bateria levando em conta a polaridade.

Obs.: Se a bateria já estiver instalada, puxe a fita isolante que sai da parte traseira do detector.

3. Alinhe as roscas do suporte aos encaixes do detector e gire o detector em sentido horário para certificar-se de que ele está firmemente preso.

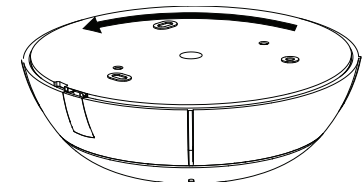


Figura 2. Remoção do suporte

Obs.: Se um parafuso for usado para prender el detector en un soporte (ver figura 3), abra a tampa do parafuso e remova-o. Para separar o detector do suporte de montagem, certifique-se de que a tampa do parafuso esteja totalmente aberta o totalmente fechada e gire o detector em sentido anti-horário. Substitua a bateria certificando-se de que a polaridade seja observada, substitua o detector e fixe ao suporte com o parafuso.

Obs.: Recomendase esperar cerca de 1 minuto depois de remover a pilha antes de inserir a nova pilha.

Cuidado! Risco de explosão se a bateria for trocada por uma de um tipo incorreto. Descarte as baterias usadas de acordo com as instruções do fabricante e com as regras e normas locais.

Registro

Consulte o manual de instalação do painel para aprender o procedimento de registro.

Uma descrição geral do procedimento é fornecida no fluxograma a seguir:

Etapa	Procedimento
1	Consulte o manual de instalação do sistema de alarme ao qual o dispositivo está sendo registrado para garantir que as etapas adequadas sejam feitas.
2	Entre na opção Registro de Dispositivo pelo método especificado e seleccione a opção apropriada para adicionar um novo dispositivo.
3	Registre o dispositivo inserindo a bateria para ligar o dispositivo até que o registro seja detectado ou insira o ID do dispositivo. Coloque a guia de registro ou insira a bateria para energizar o dispositivo e comece o processo de registro automático.
	Obs.: Também é possível inserir ID:XXX-XXXX (o número do dispositivo que está impresso na etiqueta), se o dispositivo não começar a registrar automaticamente.
4	Selecione o nº da zona desejada.
5	Configure os parâmetros necessários do dispositivo.
6	Monte e teste o detector. Consulte Teste de caminhada/teste de diagnóstico local para obter mais informações sobre

como testar o dispositivo. Além disso, consulte o manual de instalação do sistema de alarme nos quais o dispositivo foi registrado para ver outros procedimentos de teste que são necessários.

Obs.: Se o detector já estiver registrado, você pode configurar os parâmetros do detector pela programação do sistema. Consulte o manual de instalação do sistema de alarme para obter mais informações sobre os parâmetros do dispositivo.

Obs.: ao registrar o detector PGx972 a painéis sem fio (WP80XX) com a versão 19.4 ou uma anterior, o detector será registrado como um detector de movimento, ID 120-xxxx, e identificado como 'Sensor de mov' no painel.

Dicas de Instalação

Use as seguintes dicas como um guia para localizar um local adequado para a montagem.

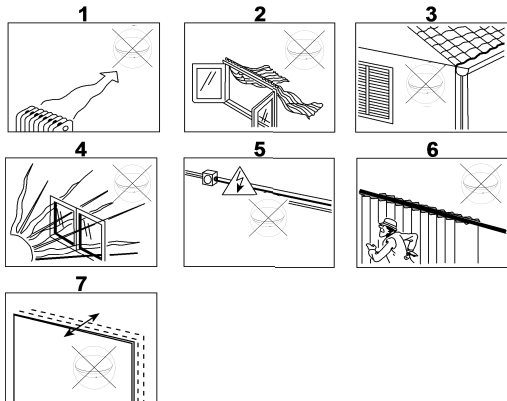


Figura 3. Orientações gerais

1. Mantenha longe de fontes de calor.
2. Não exponha a saídas de ar.
3. Não instale em ambientes externos.
4. Evite exposição direta ao sol.
5. Não instale perto de redes elétricas de alta tensão.
6. Não instale atrás de nenhuma partição.
7. Monte em uma superfície sólida estável.

AVISO! Não obscureça parcialmente nem totalmente o campo de visão do detector.

AVISO! A fim de obedecer os requisitos de conformidade de exposição do FCC e ISED Canada RF, o detector PIR deve estar em uma distância de ao menos 20 cm de qualquer pessoa durante a operação normal. As antenas usadas para este produto não podem estar colocadas ou ser operadas em conjunto com qualquer outra antena ou transmissor.

Obs.: O PGx872 Detector de presença/segurança PIR de teto sem fios deve ser instalado e usado dentro de um ambiente que forneça o grau máximo de poluição 2 e sobretensão de categoria II, LOCAIS NÃO PERIGOSOS. O equipamento foi projetado para ser instalado apenas pelo pessoal qualificado de serviço.

Obs.: PGx872 deve ser instalado de acordo com as normas de instalação e classificação de sistemas de alarme residencial contra arrombamentos, UL 1641.

Teste de caminhada/teste de diagnóstico local

Antes de montar permanentemente qualquer dispositivo sem fio, monte temporariamente o dispositivo e realize um teste de caminhada. Realize um teste de caminhada da área de cobertura pelo menos uma vez por semana para garantir que o detector está funcionando corretamente.

Após colocar a bateria ou fechar a suportes, o detector entrará automaticamente em um período de estabilidade em que o LED piscará em VERMELHO durante 90 segundos. Faça um teste de caminhada pela área de cobertura; o LED vermelho piscará cada vez que seu movimento for detectado seguido por três piscadas de LED. A cor das três piscadas de LED indica a força do sinal recebido. No modo teste de caminhada, independentemente do status de Sinalização do LED, o LED

acende quando da detecção de qualquer movimento. Depois de 15 minutos, o detector entra automaticamente no modo normal. A tabela a seguir indica a força do sinal recebido.

Reposta do LED	Intensidade do sinal
3 LED verde pisca	FORTE
3 LED laranja pisca	BOM
3 LED vermelho pisca	RUIM
Nada pisca	Sem comunicação

IMPORTANTE! Somente são aceitos intensidades de sinal BOA ou FORTE. Se você receber um sinal RUIM do dispositivo, repositone-o e teste novamente até receber um sinal BOM ou FORTE.

Obs.: Para instalações UL/ULC, apenas o nível de sinal FORTE é aceitável. Após a instalação, verifique a funcionalidade do produto em conjunto com os painéis de controle compatíveis HSM2HOST9, HS2LCDR(P)9, HS2ICNRF(P)9, PG9920, WS900-19 e WS900-29.

Obs.: Para obter instruções detalhadas de colocação, consulte o Guia de referência do painel de controle.

Faça o teste de caminhada pela área de cobertura caminhando através do limite mais distante do padrão de cobertura em ambos os sentidos. O LED vermelho acenderá cada vez que seu movimento for detectado seguido por indicação de força do sinal de LED constante.

Montagem do dispositivo

1. Marque e perfure dois furos na superfície de montagem. Se você instalar a proteção contra violação no detector, marque e faça um furo para a proteção contra violação e um furo para um dos outros encaixes disponíveis.
2. Fixe o suporte à superfície de montagem usando os dois parafusos.
3. Alinhe as roscas do suporte aos encaixes do detector e gire o detector em sentido horário. Certifique-se de que está bem preso.
4. Fixe o detector ao suporte com o parafuso.

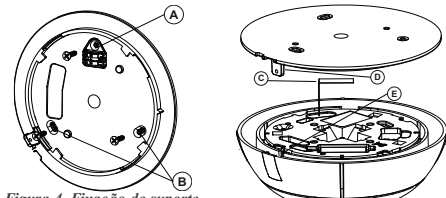


Figura 4. Fixação do suporte

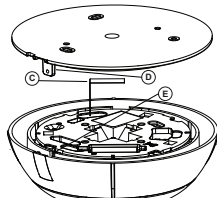


Figura 5. Colocação do detector

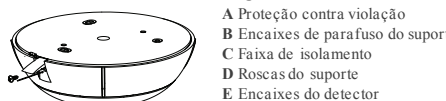


Figura 6. Fixação do detector

A seguinte tabela resume a distância de detecção em relação à altura da montagem.

Altura	2 m	3 m	4 m	5 m	6 m
	6,6 pés	9,8 pés	13,1 pés	16,4 pés	19,7 pés
Distância de detecção do raio	3,1 m 10,2 pés	3,75 m 12,3 pés	4,5 m 14,8 pés	6,5 m 21,3 pés	10 m 32,8 pés

Operação do LED

Indicações do LED	Evento
LED vermelho pisca	Estabilização (aquecimento de 90 segundos)
LED vermelho em 0,2 segundos	Abrir/fechar violação
LED vermelho em 2 segundos	Alarme de intruso

Visor de temperatura

Para ver instruções sobre como exibir a temperatura de zonas no painel correto, como medida pelo PGx872, consulte o guia de

instalação do painel.

Especificações

Geral

Tipo de detector

Quatro sensores piroelétricos que funcionam em uma configuração dual separada

Parte ótica

Dados da lente

Lentes de tipo Fresnel.

Número de feixes: 120

Cobertura máx.

020 m/360° na altura máxima de instalação de 6 m (19,7 pés)

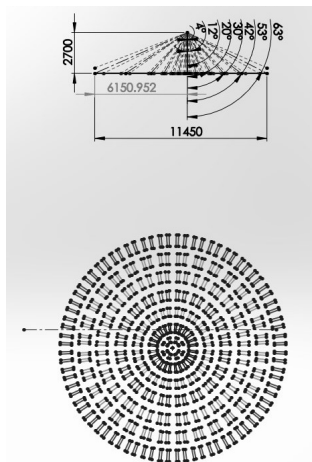


Figura 7. Distribuidor de feixes a 2,7 m (8,9 ft)

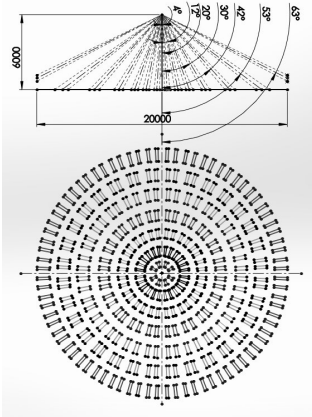


Figura 8. Distribuidor de feixes a 6 m (19,7 ft)

Parte elétrica

Fonte de alimentação

Bateria de lítio interna de 3 V, tipo CR123A. Para instalações UL/cUL, use somente baterias Panasonic ou GP. Fonte de alimentação EN50131-6 tipo C

Vida útil da bateria (uso típico)

Mínimo de 1 ano. 3 anos para uso normal/modo de segurança (não verificado pelo UL). 2 anos no modo de presença com temporizador configurado para 15 minutos (não verificado pelo UL).

Limite de bateria fraca

2,5 V

Obs.: A incapacidade de se conectar a uma rede sem fio ou a qualidade de uma conexão sem fio inferior a 20% podem diminuir significativamente a expectativa de vida da pilha.

Teste de energia da pilha

Realizado logo após a introdução da pilha e periodicamente em intervalos de algumas horas.

A fonte de alimentação é do tipo C, de acordo com a Documentação EN 50131-6 — Cláusula 6.

Consumo de corrente

Obs.: 30µA quiescente médio, máximo 150 mA (durante transmissão)

Funcional

Verificação de movimentos reais

2 seleções remotas no painel

Tempo de alarme

2 segundos

Sem fio

Frequência

Europa e resto do mundo: 433-434 MHz, 868-869 MHz EEA: 912-919 MHz

Obs.: Apenas os dispositivos na faixa de frequência de 915 MHz são listados pela UL/ULC.

Protocolo de comunicação:

PowerG

Supervisão:

Sinalização em intervalos de 256 seg

Alerta de violação

Comunicado quando ocorre uma violação e em qualquer mensagem subsequente até que a chave de violação seja restaurada.

Instalação

Altura

2 m a 6 m (6,6 - 19,7 ft)

Opções de instalação

Superfície do teto

Ambiental

Imunidade a RF

De 20 V/m até 1000 MHz, de 10 V/m até 2700 MHz

Temperaturas operacionais

-10 °C a 55 °C (-14 °F a 131 °F).

Obs.: UL verificou somente a operação acima da faixa de 0 °C a 49 °C.

Temperaturas de armazenamento

-20° C a 60 °C (-4 °F a 140 °F).

Umidade

Umidade relativa média de aproximadamente 75% sem condensação.

Por 30 dias por ano, a umidade relativa pode variar de 85% a 95% sem condensação.

Para todas as instalações da UL: 5% a 93% sem condensação

Físicas

Tamanho (diâmetro)

15 cm

Peso (com bateria)

110 g (3,88 oz)

Cor

Branca

Receptores compatíveis

Este dispositivo pode ser usado com painéis e receptores DSC que usem a tecnologia PowerG.

Obs.: Apenas os dispositivos operando na faixa de 912-919 MHz são listados pela UL/ULC.

CE Europa: CE/EN (EN50131-2-2 GRADE 2, CLASS II, EN50131-6 Tipo C) PG8872: 868 MHz PG4872: 433 MHz

Conforme a EN 50131-1, este equipamento pode ser aplicado em sistemas instalados até e incluindo o Grau 2 de Segurança, Classe II Ambiental. Certificado pela Aplica Test & Certification AS para as seguintes normas EN 50131-2-2, EN 50131-5-3, EN 50131-6, EN 50130-4, EN 50130-5. RU: O PG8872 é apropriado para uso em sistemas instalados em conformidade com PD6662 no Grau 2 e classe ambiental 2 BS8243.

Declaração UE de Conformidade Simplificada

O(a) abaixo assinado(a), Tyco Safety Products Canada Ltd declara que o presente tipo de equipamento de rádio está em conformidade com a Diretiva 2014/53/UE.

O texto integral da declaração de conformidade está disponível no seguinte endereço de Internet:

PG4872: <http://dsc.com/pdf/1710003>

PG8872: <http://dsc.com/pdf/1710004>

Bandas de frequências

868.0 MHz - 868.6 MHz

868.7 MHz - 869.2 MHz

Ponto único de contato na Europa: Tyco Safety Products, Voltaweg 20, 6101

XK Echt, Holanda.

D-307204 Rev 1 (07/19)

Potência máxima

10 mW

10 mW



29010032R002